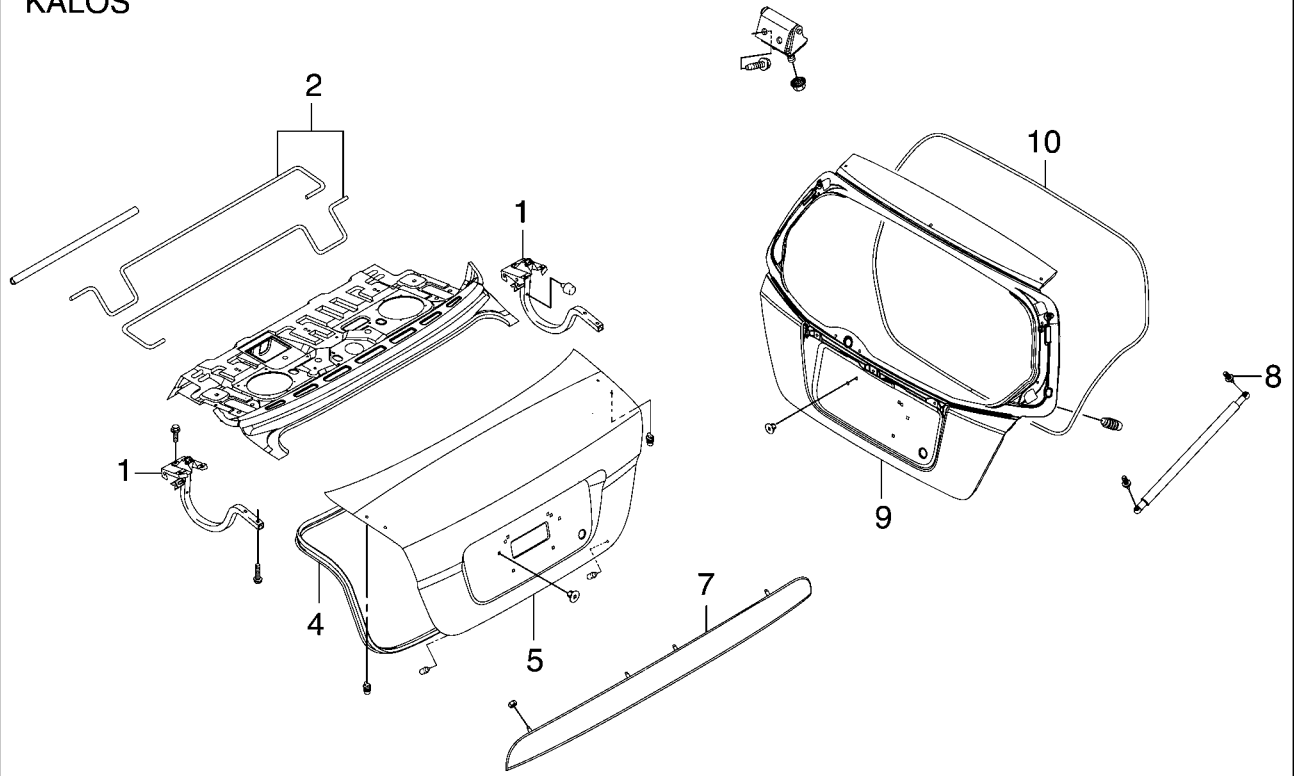


SECTION 9S

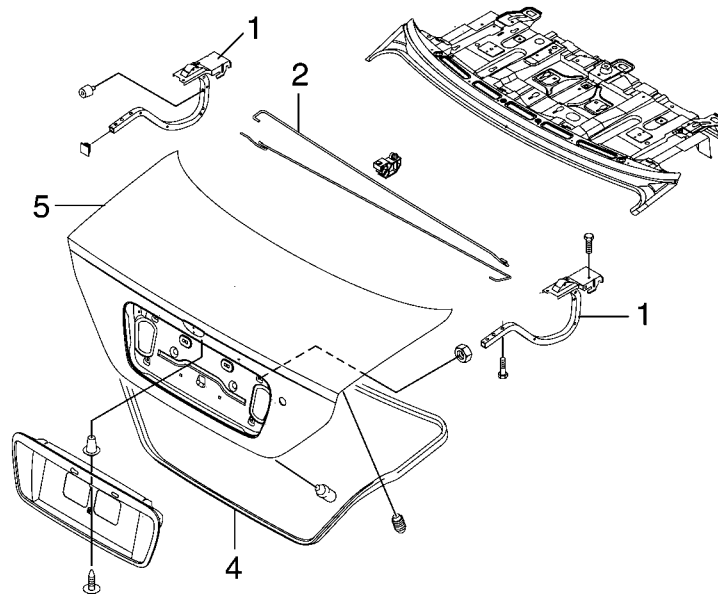
BODY & ACCESSORIES (BODY REAR END)

978. TRUNK LID PANEL & SPOILER 9S - 3

KALOS



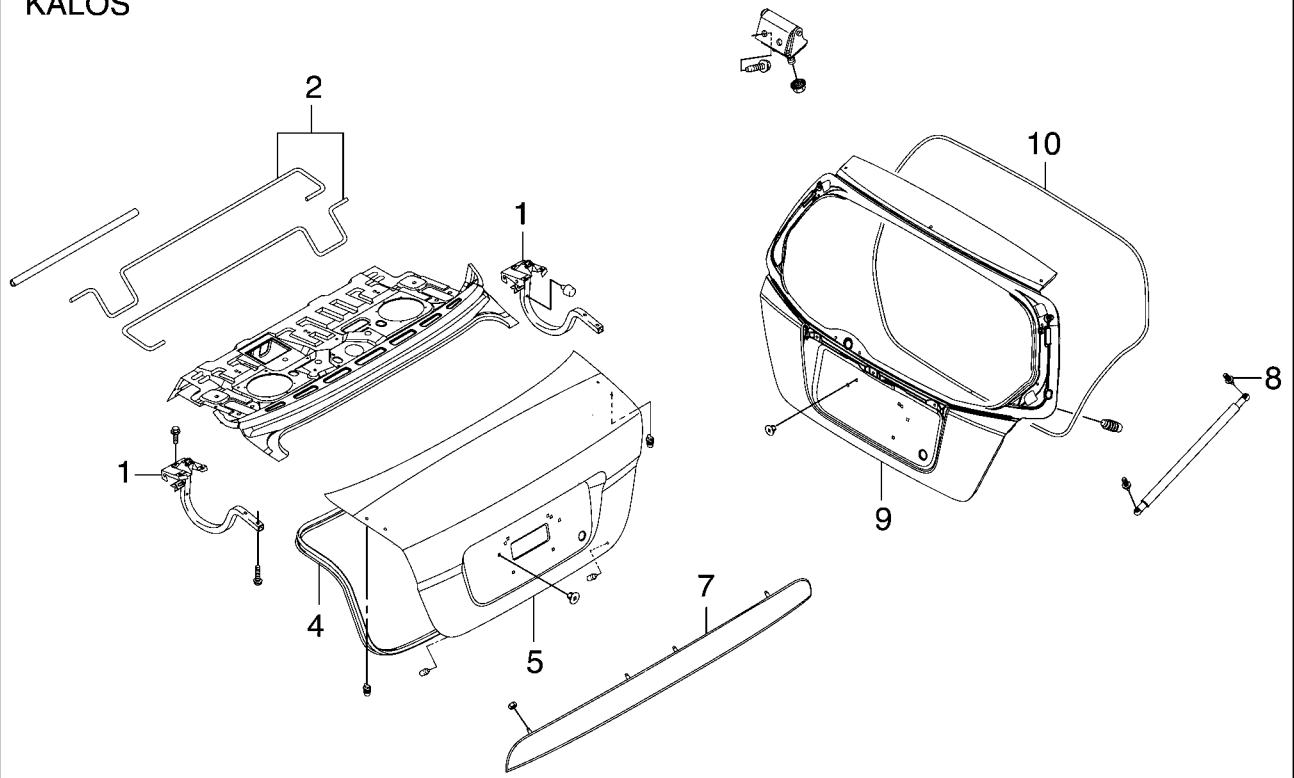
NUBIRA / LACETTI , EVANDA



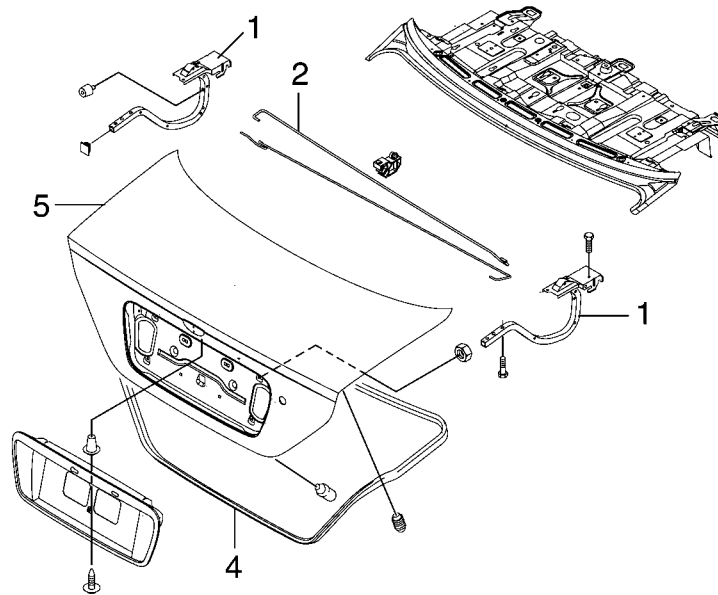
BODY REAR END – TRUNK LID PANEL & SPOILER (978)						
NO.	OPERATION DESCRIPTION	OPERATION CODE	MODEL			
			S	N	L	
1	HINGE, REAR COMPARTMENT LID – REPLACE	Right	9780100	1.0	1.0	1.0
		Left	9780200	1.0	1.0	1.0
		Both	9780300	1.1	1.1	1.1
2	ROD, SPRING TORQUE – REPLACE	Right	9780500	0.3	0.3	0.3
		Left	9780600	0.3	0.3	0.3
		Both	9780700	0.5	0.5	0.5
	SPRING, TRUNK LID – REPLACE	Right	9781100	—	—	—
		Left	9781200	—	—	—
		Both	9781300	—	—	—
3	SUPPORT, TRUNK LID – REPLACE	Right	9781400	—	—	—
		Left	9781410	—	—	—
		Both	9781420	—	—	—
4	WEATHERSTRIP, REAR COMPARTMENT OPENING – ALIGN OR REPLACE	9781500	0.2	0.2	0.2	
5	REAR COMPARTMENT LID – REPLACE	9781700	0.7	0.7	0.7	
6	COVER-INNER TRUNK LID – REPLACE	9781800	—	—	—	
7	HANDLE A-LID TRUNK (TAILGATE) – REPLACE	3H/B, 5H/B, 4N/B	9781810	0.2	—	—
		Station Wagon	9781820	—	—	—
8	SUPPORT, REAR COMPARTMENT (HATCH BACK) – REPLACE	Right	9782100	0.2	0.2	—
		Left	9782200	0.2	0.2	—
		Both	9782300	0.3	0.3	—
	SUPPORT, REAR COMPARTMENT (WAGON/MPV) – REPLACE	Right	9782500	—	—	—
		Left	9782600	—	—	—
		Both	9782700	—	—	—

S : KALOS, N : NUBIRA/LACETTI, L : EVANDA

KALOS



NUBIRA / LACETTI , EVANDA



BODY REAR END – TRUNK LID PANEL & SPOILER (978)					
NO.	OPERATION DESCRIPTION	OPERATION CODE	MODEL		
			S	N	L
9	TAILGATE – REPLACE	9782900	1.0	1.0	—
10	WEATHER STRIP, REAR COMPARTMENT OPENING – REPLACE	9783100	0.2	0.2	—
11	SPOILER, REAR (HATCH BACK) – REPLACE	9783300	0.2	0.2	—