

SECTION 8B

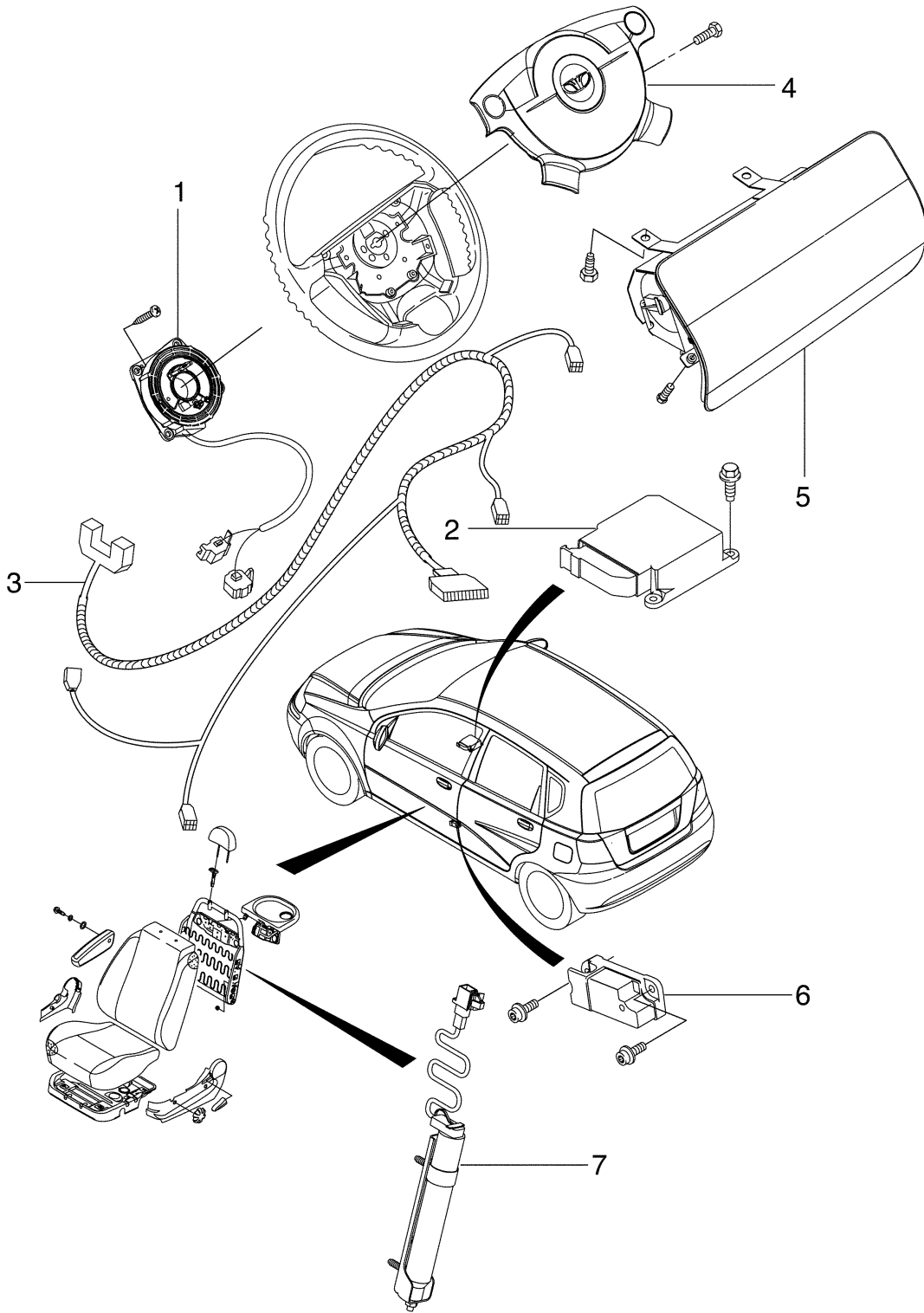
RESTRAINTS

S. I. R (SUPPLEMENTAL INFLATABLE RESTRAINTS)

832. AIR BAG SYSTEM 8B - 3

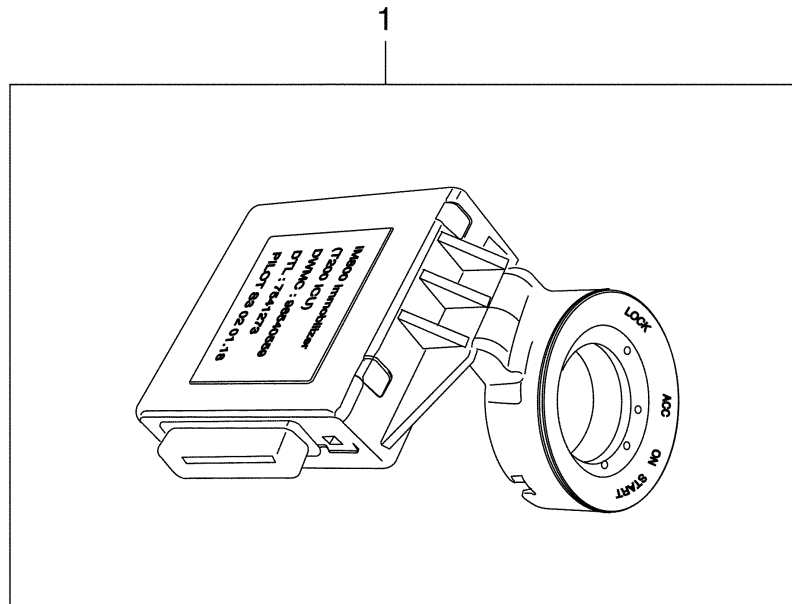
833. IMMOBILIZER 8B - 5

8B-2 RESTRAINTS



S. R. S (SUPPLEMENTAL INFLATABLE RESTRAINTS) - AIR BAG SYSTEM (832)

NO.	OPERATION DESCRIPTION	OPERATION CODE	MODEL			
			S	N	L	
1	COIL, SRS - REPLACE	8320100	0.6	0.6	0.6	
2	SDM, AIR BAG - REPLACE	8320300	0.4	0.5	0.5	
3	WIRING, AIR BAG - REPLACE	8320500	1.3	2.4	2.4	
4	MODULE, STEERING WHEEL INFLATOR - REPLACE	8320700	0.3	0.4	0.4	
5	MODULE, PASSENGER INFLATABLE CUSHION - REPLACE	8320900	1.9	0.5	0.5	
6	SENSOR, SIDE AIRBAG - REPLACE	Right	8321000	0.3	0.3	0.3
		Left	8321100	0.3	0.3	0.3
		Both	8321200	0.5	0.5	0.5
7	MODULE, SIDE AIRBAG - REPLACE	Right	8321300	0.8	0.8	0.8
		Left	8321400	0.8	0.8	0.8
		Both	8321500	1.4	1.4	1.4



**S. R. S (SUPPLEMENTAL INFLATABLE RESTRAINTS)
- IMMOBILIZER (833)**

NO.	OPERATION DESCRIPTION	OPERATION CODE	MODEL		
			S	N	L
1	HEAD AMP. OR IMMOBILIZER CONTROL UNIT - REPLACE	8330500	0.5	0.5	0.5