

SECTION 7B

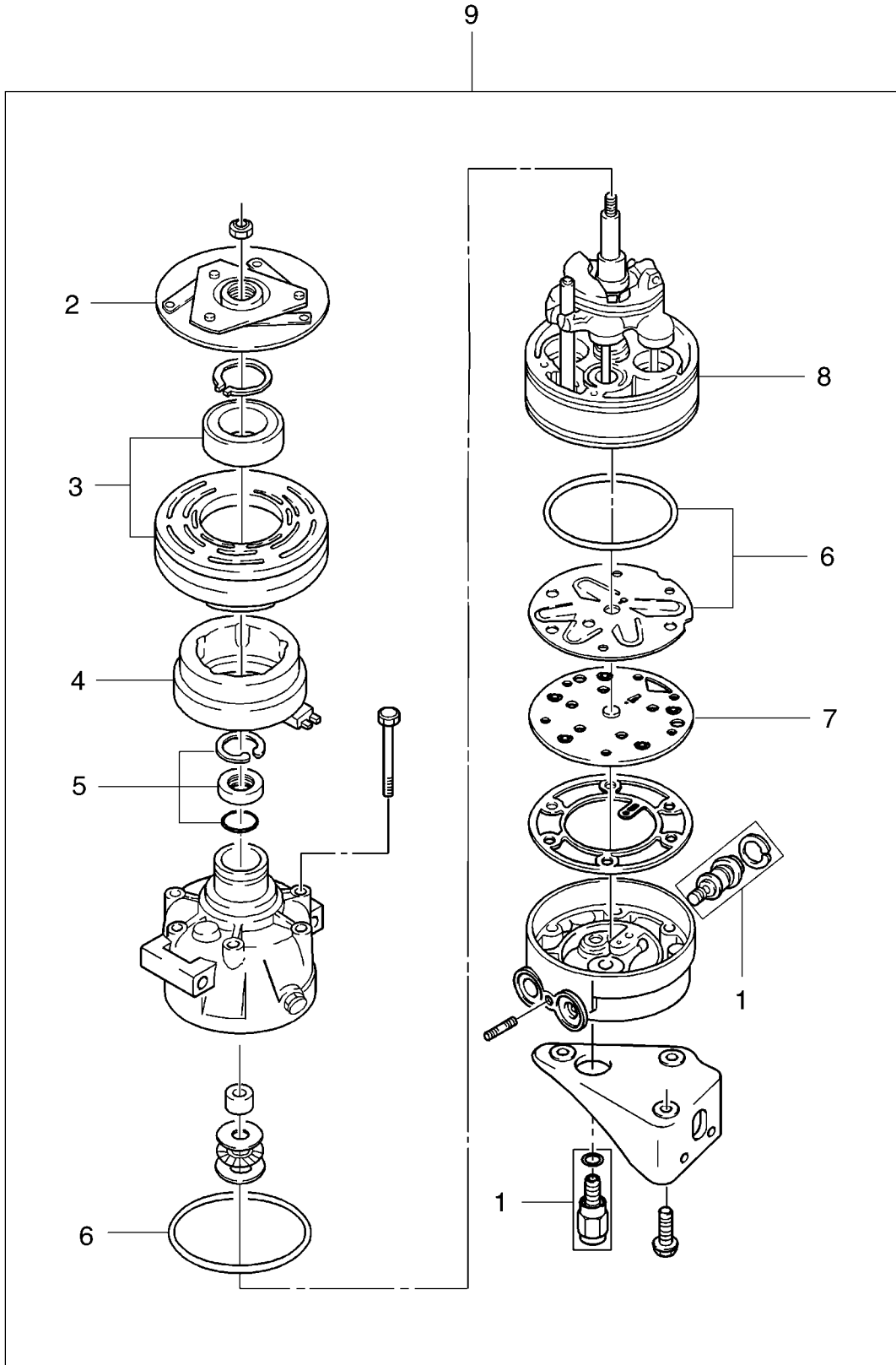
HVAC CONTROL

732. COMPRESSOR 7B - 3

733. COMPRESSOR MOUNT 7B - 5

734. A/C HOSE & PIPE LINE 7B - 7

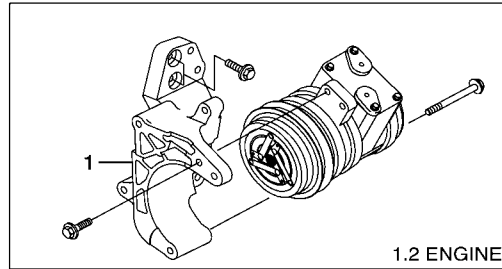
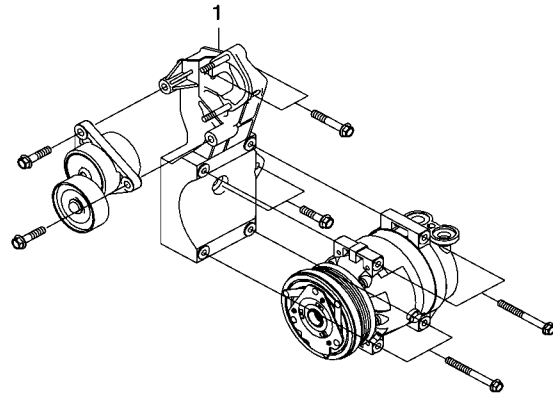
735. A/C CONTROL SWITCH 7B - 11



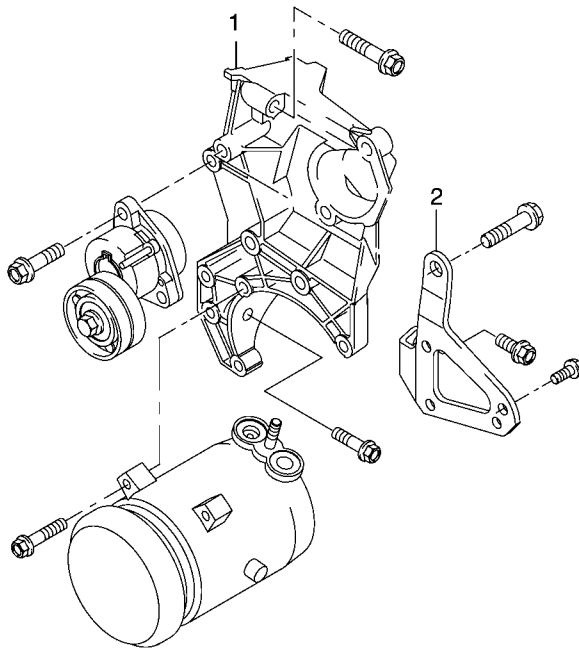
HVAC CONTROL – COMPRESSOR (732)					
NO.	OPERATION DESCRIPTION	OPERATION CODE	MODEL		
			S	N	L
1	VALVE, COMPRESSOR PRESSURE – REPLACE	7320100	0.6	0.5	0.5
	A – Recover/Recharge AC system	732010A	0.7	0.7	0.7
	VALVE, COMPRESSOR CONTROL – REPLACE	7320200	0.7	0.5	0.5
	A – Recover/Recharge AC system	732020A	0.7	0.7	0.7
2	CLUTCH PLATE AND HUB ASSEMBLY, COMPRESSOR – REPLACE	7320400	0.8	1.2	1.2
	CLUTCH PLATE AND HUB ASSEMBLY, COMPRESSOR (KALOS 1.2S ONLY) – REPLACE	7320410	0.6	—	—
	A – Recover/Recharge AC system	732040A	0.7	0.7	0.7
3	ROTOR AND/OR BEARING, COMPRESSOR – REPLACE	7320600	1.2	1.5	1.5
	ROTOR AND/OR BEARING, COMPRESSOR (KALOS 1.2S ONLY) – REPLACE	7320610	0.6	—	—
	A – Recover/Recharge AC system	732060A	0.7	0.7	0.7
4	COIL AND/OR PULLEY RIM, COMPRESSOR CLUTCH – REPLACE	7320800	1.2	1.6	1.6
	COIL AND/OR PULLEY RIM, COMPRESSOR CLUTCH (KALOS 1.2S ONLY) – REPLACE	7320810	0.6	—	—
	A – Recover/Recharge AC system	732080A	0.7	0.7	0.7
5	SEAL, SEAT AND/OR O-RING, COMPRESSOR SHAFT – REPLACE	7321100	1.3	1.7	1.7
	A – Recover/Recharge AC system	732110A	0.7	0.7	0.7
6	REED ASSEMBLY, GASKET AND/OR O-RING, FRONT – REPLACE	7321300	1.6	2.0	2.0
	A – Recover/Recharge AC system	732130A	0.7	0.7	0.7
	REED ASSEMBLY, GASKET AND/OR O-RING, REAR – REPLACE	7321400	1.6	2.0	2.0
	A – Recover/Recharge AC system	732140A	0.7	0.7	0.7
7	VALVE PLATE ASSEMBLY, COMPRESSOR DISCHARGE – REPLACE	7321600	1.7	2.0	2.0
	A – Recover/Recharge AC system	732160A	0.7	0.7	0.7
8	CYLINDER AND SHAFT ASSEMBLY, COMPRESSOR – REPLACE	7321900	1.6	1.9	1.9
	A – Recover/Recharge AC system	732190A	0.7	0.7	0.7
9	COMPRESSOR ASSEMBLY – REPLACE	7322100	0.6	1.0	1.0
	A – Recover/Recharge AC system	732210A	0.7	0.7	0.7

S : KALOS, N : NUBIRA/LACETTI, L : EVANDA

KALOS



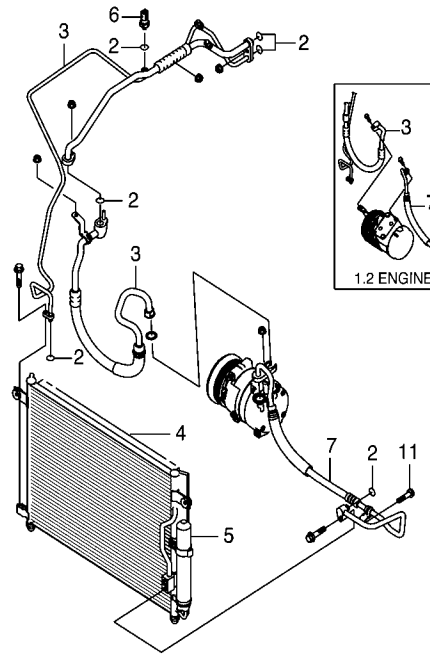
NUBIRA / LACETTI , EVANDA



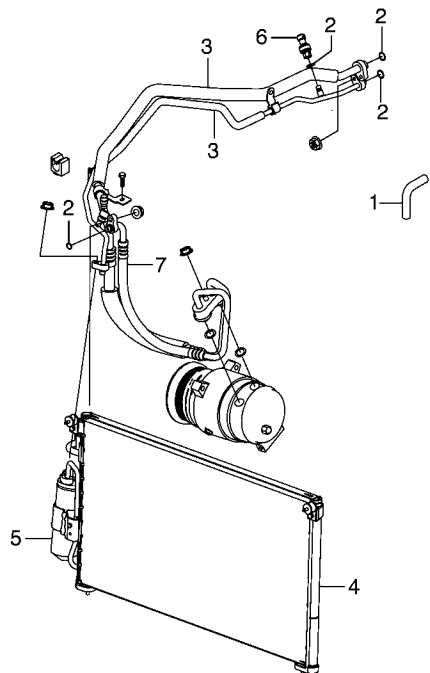
HVAC CONTROL – COMPRESSOR MOUNT (733)

NO.	OPERATION DESCRIPTION	OPERATION CODE	MODEL		
			S	N	L
1	BRACKET, COMPRESSOR LOWER SUPPORT – REPLACE	7330100	1.4	1.7	2.1
2	BRACKET, COMPRESSOR REAR – REPLACE	7330300	—	0.7	0.7

KALOS , NUBIRA / LACETTI



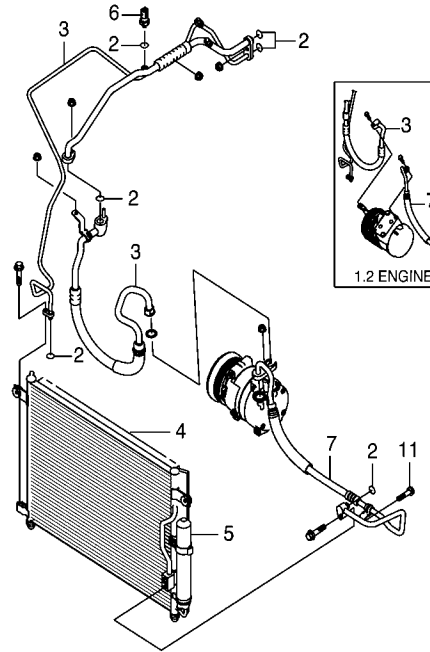
EVANDA



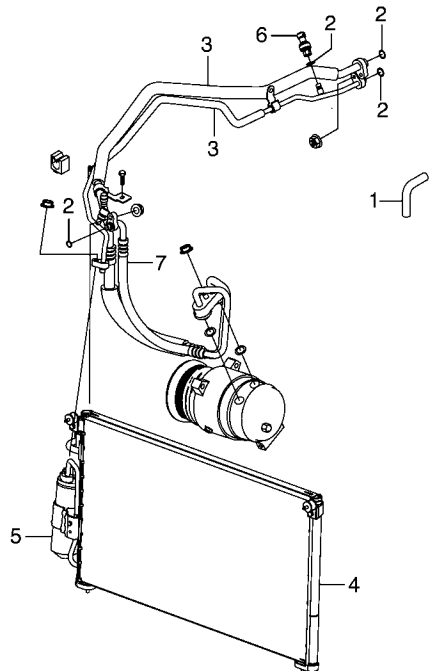
HVAC CONTROL – A/C HOSE & PIPE LINE (734)					
NO.	OPERATION DESCRIPTION	OPERATION CODE	MODEL		
			S	N	L
1	HOSE, EVAPORATOR DRAIN – REPLACE	7340100	0.2	0.2	0.2
2	SEALS, COMPRESSOR MANIFOLD REFRIGERANT O-RING – REPLACE	7340300	0.2	0.2	0.2
	Accumulator Outlet	7340400	0.2	0.4	0.2
	Pressure Switch	7340500	0.2	0.2	0.2
	Condenser Inlet Line	7340600	0.2	0.4	0.2
	Evaporator Inlet Line	7340700	0.3	0.3	0.3
	Evaporator Outlet Line	7340800	0.3	0.3	0.3
	Accumulator Inlet	7340900	0.3	—	0.2
	A – Recover/Recharge AC system	734030A	0.7	0.7	0.7
3	LINE, REFRIGERANT (EVAPORATOR TO ACCUMULATOR) – REPLACE	7341100	0.6	0.7	0.7
	A – Recover/Recharge AC system	734110A	0.7	0.7	0.7
	LINE, REFRIGERANT (COMPRESSOR SUCTION/DISCHARGE) – REPLACE	7341300	0.6	0.6	0.6
A – Recover/Recharge AC system	734130A	0.7	0.7	0.7	
4	CONDENSER – REPLACE	7341400	2.4	1.2	0.6
	A – Recover/Recharge AC system	734140A	0.7	0.7	0.7
5	DRYER, RECEIVER – REPLACE	7341700	0.7	1.2	0.5
	A – Recover/Recharge AC system	734170A	0.7	0.7	0.7
6	TRANSDUCER, A/C PRESSURE – REPLACE	7341900	0.2	0.2	0.2
	A – Recover/Recharge AC system	734190A	0.7	0.7	0.7
7	HOSE, DIST – REPLACE	7342100	0.7	0.7	0.9
	A – Recover/Recharge AC system	734210A	0.7	0.7	0.7
8	PIPE, EVAPORATOR – REPLACE	7342300	—	—	—
	A – Recover/Recharge AC system	734230A	—	—	—
	PIPE, EVAPORATOR (ABS) – REPLACE	7342500	—	—	—
	A – Recover/Recharge AC system	734250A	—	—	—
9	TANK, VACUUM – REPLACE	7342700	—	—	—

S : KALOS, N : NUBIRA/LACETTI, L : EVANDA

KALOS , NUBIRA / LACETTI



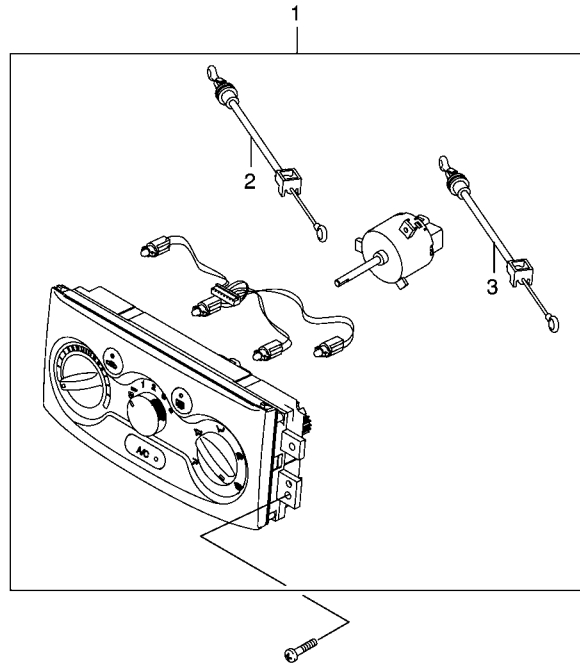
EVANDA



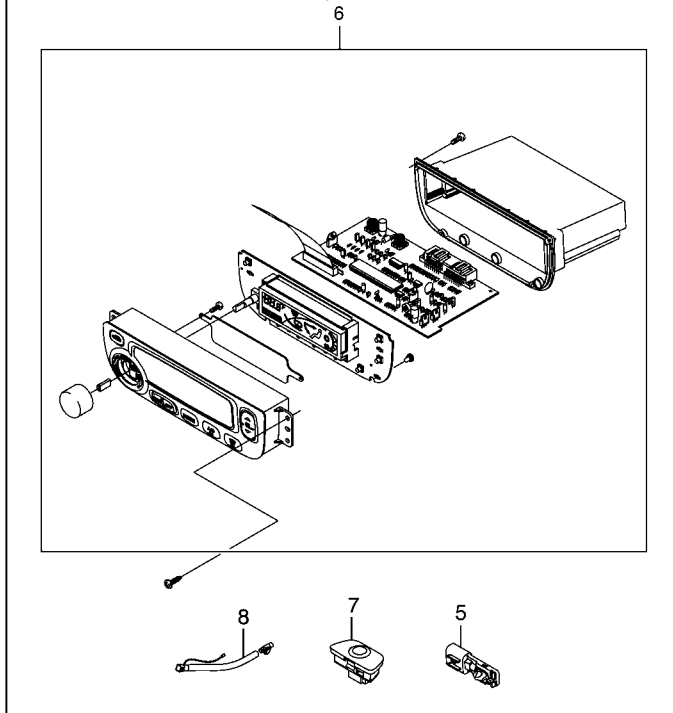
HVAC CONTROL – A/C HOSE & PIPE LINE (734)

NO.	OPERATION DESCRIPTION	OPERATION CODE	MODEL		
			S	N	L
10	HOSE, VACUUM (MODULE) – REPLACE	7342800	—	—	—
11	HOSE, VACUUM (TANK) – REPLACE	7342900	—	—	—

KALOS , NUBIRA / LACETTI , EVANDA



NUBIRA / LACETTI , EVANDA



HVAC CONTROL – A/C CONTROL SWITCH (735)

NO.	OPERATION DESCRIPTION	OPERATION CODE	MODEL		
			S	N	L
1	SWITCH, CONTROL ASSEMBLY – REPLACE A – PCB and Switch Body	7350100	0.4	0.4	0.4
		735010A	—	—	—
2	CABLE, TEMPERATURE – REPLACE	7350500	0.3	0.5	0.4
3	CABLES – REPLACE Air Inlet Distribution Air Distribution	7350800	0.3	—	—
		7350900	0.3	0.4	0.7
4	VACUUM & DISTRIBUTOR – REPLACE	7351500	—	—	—
5	SENSOR, OUTSIDE TEMPERATURE – REPLACE	7351700	—	0.2	0.2
6	SWITCH, ATC – REPLACE	7351900	—	0.4	0.4
7	SENSOR, SUN – REPLACE	7352100	—	0.2	0.2
8	SENSOR, INCAR – REPLACE	7352300	—	0.4	0.3

S : KALOS, N : NUBIRA/LACETTI, L : EVANDA