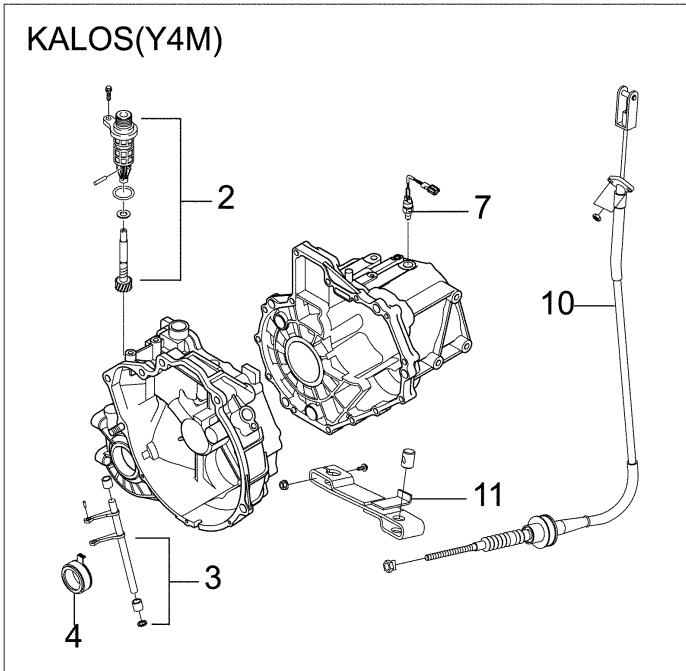
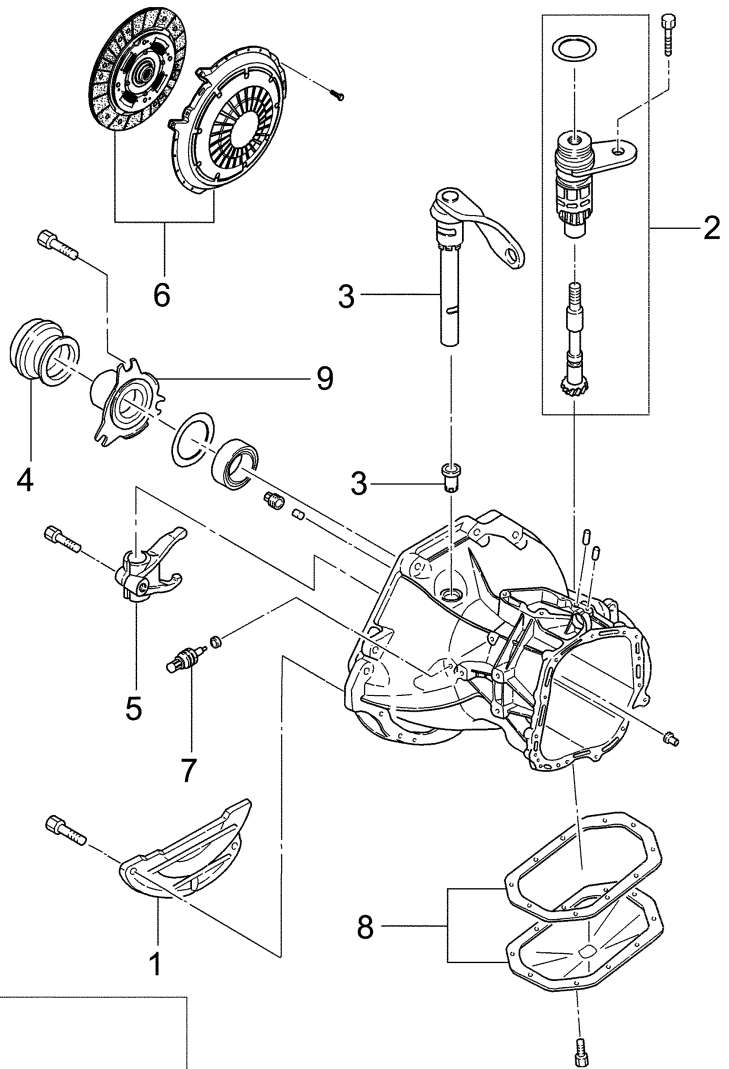


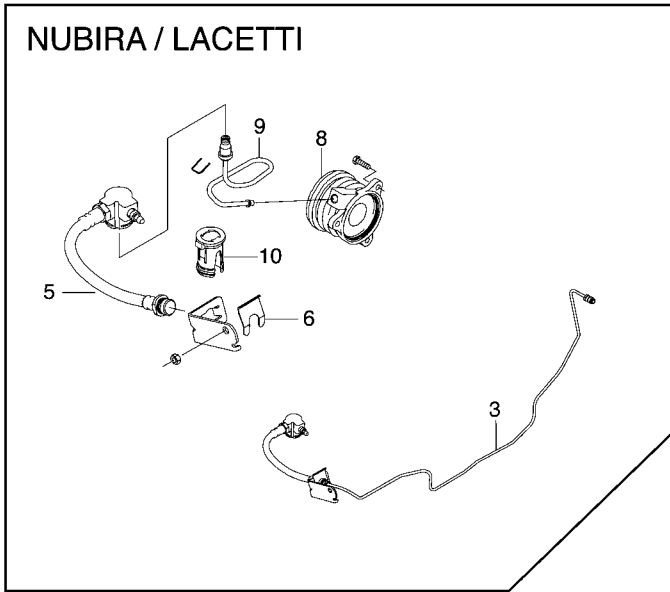
SECTION 5C

TRANSMISSION / TRANSAXLE (CLUTCH)

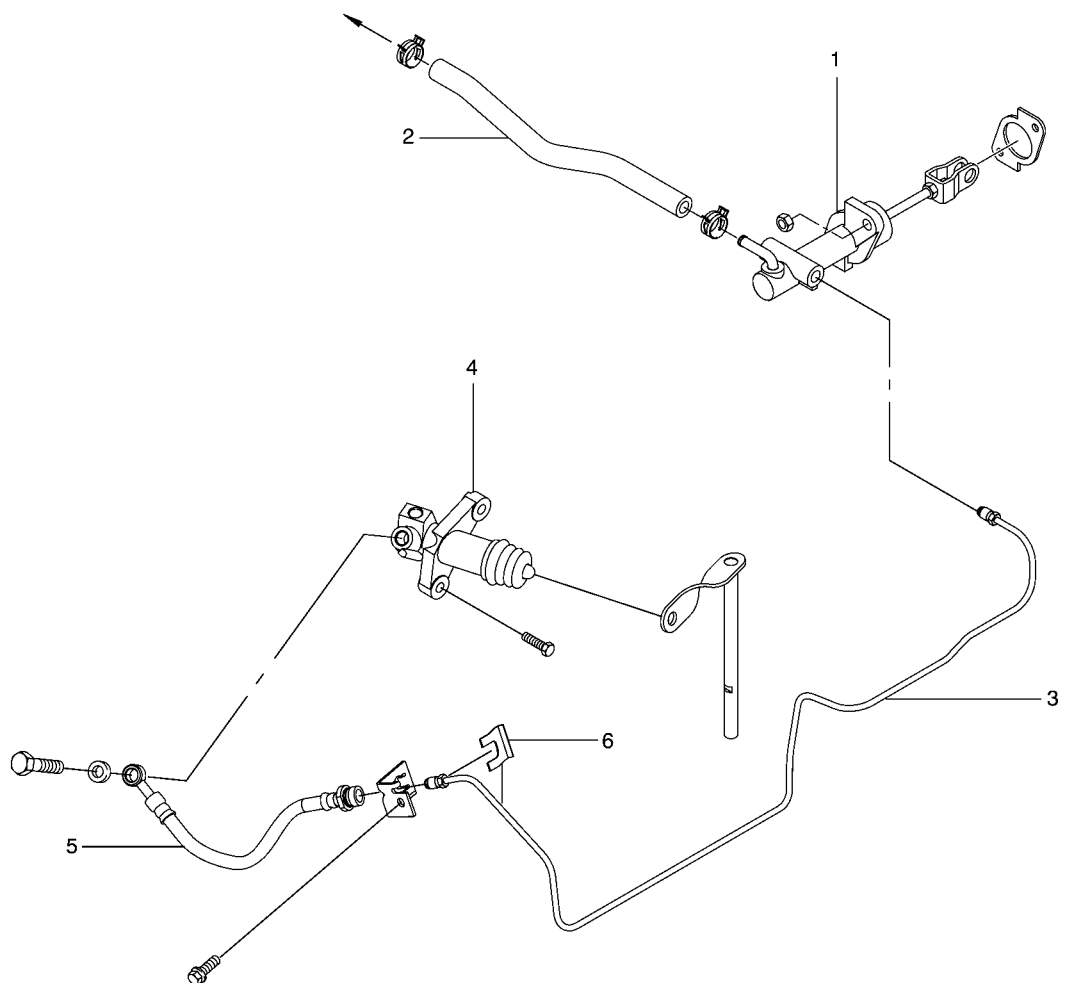
581. CLUTCH PARTS	5C - 3
582. HYDRAULIC CLUTCH	5C - 5
583. CLUTCH PEDAL	5C - 7



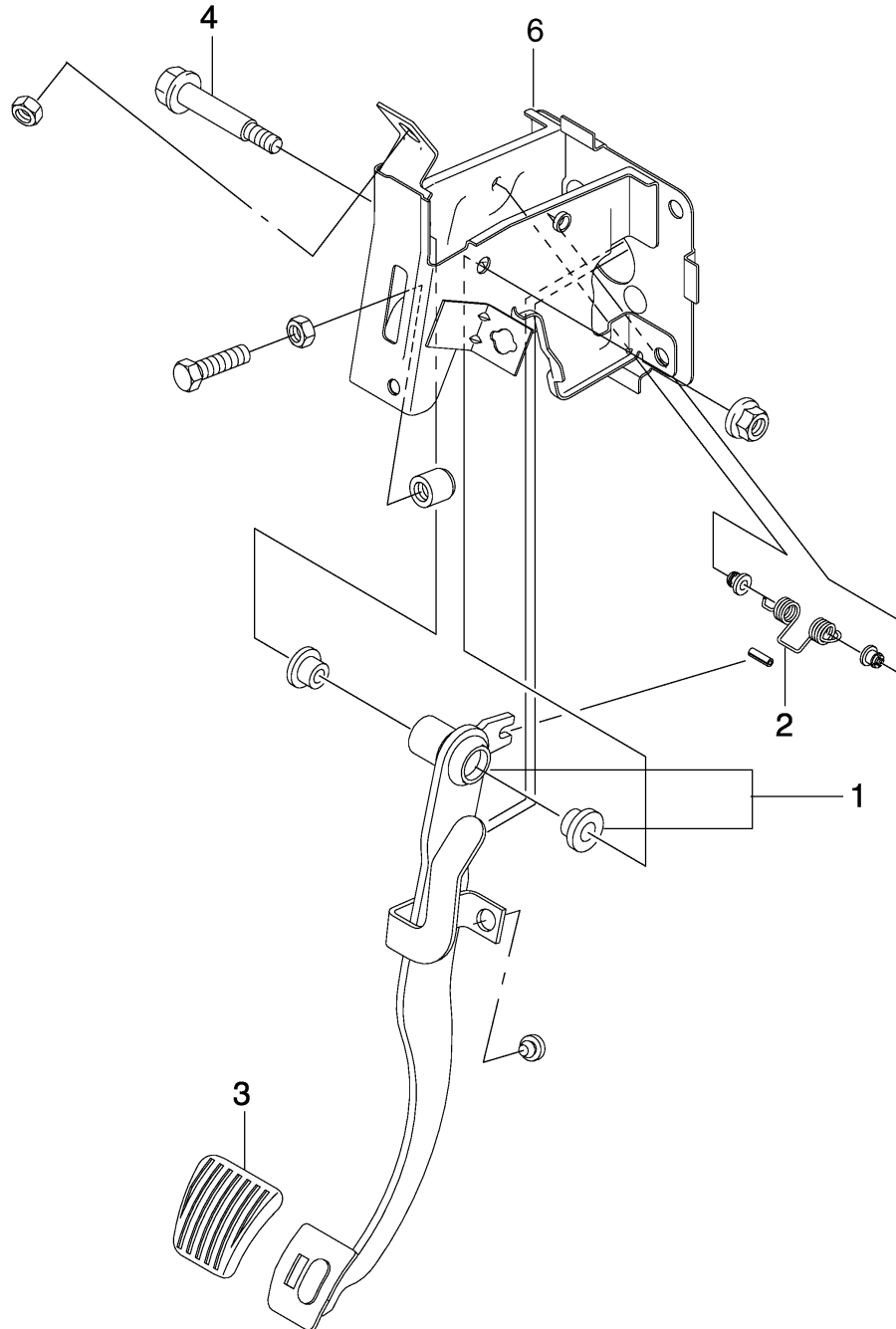
CLUTCH – CLUTCH PARTS (581)					
NO.	OPERATION DESCRIPTION	OPERATION CODE	MODEL		
			S	N	L
1	COVER, FLYWHEEL – REPLACE	5810100	0.2	0.2	0.2
2	GEAR AND/OR SEAL, SPEEDOMETER DRIVEN – REPLACE	5810300	0.3	0.3	0.3
3	SHAFT AND/OR BUSHING, CLUTCH FORK – REPLACE INC : Replace clutch release bearing if necessary and adjust linkage	5810500	3.7	—	3.7
4	BEARING, CLUTCH RELEASE – REPLACE INC : R & R transaxle and adjust linkage	5810700	3.4	—	3.3
5	FORK AND/OR BALL STUD, CLUTCH RELEASE – REPLACE	5810900	3.7	—	3.7
6	DISC AND/OR CLUTCH COVER, CLUTCH – REPLACE INC : R & R transaxle, Replace release bearing and adjust linkage A – To replace clutch fork shaft and/or bushings B – To replace flywheel	5811100	3.5	3.5	3.6
		581110A	0.3	—	0.3
		581110B	0.3	0.3	0.3
7	SWITCH, BACK-UP LAMP – REPLACE	5811300	0.2	0.3	0.3
8	COVER AND/OR GASKET, DIFF GEAR – REPLACE	5811500	0.4	0.4	0.4
9	GUIDE, CLUTCH RELEASE BEARING – REPLACE	5811700	3.7	—	3.7
10	CABLE, CLUTCH – REPLACE A – Cable adjustment	5811900	0.6	—	—
		581190A	0.3	—	—
11	ARM, CLUTCH RELEASE – REPLACE	5812100	0.4	—	—



TO RESERVOIR



CLUTCH – HYDRAULIC CLUTCH (582)					
NO.	OPERATION DESCRIPTION	OPERATION CODE	MODEL		
			S	N	L
1	CYLINDER, ACTUATOR CLUTCH MASTER – REPLACE	5820100	0.7	0.7	0.7
2	HOSE, HYDRAULIC CLUTCH RESERVOIR – REPLACE	5820300	0.5	0.4	0.4
3	PIPE, HYDRAULIC CLUTCH – REPLACE	5820500	0.6	0.5	0.5
4	CYLINDER, HYDRAULIC RELEASE – REPLACE	5820700	0.6	—	0.5
	CLUTCH HYDRAULIC SYSTEM –BLEED	5820900	0.3	0.3	0.3
5	HOSE, HYDRAULIC CLUTCH – REPLACE	5821300	0.6	0.5	0.5
6	CLIP – REPLACE	5821500	0.2	0.2	0.2
7	BRACKET, RELEASE CYLINDER – REPLACE	5821700	0.5	—	0.5
8	CONCENTRIC SLAVE CYLINDER – REPLACE	5822500	—	3.7	—
9	PIPE, CONCENTRIC SLAVE – REPLACE	5822600	—	3.7	—
10	BUSHING, CONCENTRIC SLAVE PIPE – REPLACE	5822700	—	3.7	—



CLUTCH – CLUTCH PEDAL (583)					
NO.	OPERATION DESCRIPTION	OPERATION CODE	MODEL		
			S	N	L
1	PEDAL, SHAFT AND/OR BUSHING, CLUTCH – REPLACE	5830100	0.3	0.3	0.3
2	SPRING, CLUTCH PEDAL RETURN – REPLACE	5830300	0.3	—	0.3
3	COVER, PEDAL PLATE – REPLACE	5830700	0.2	—	0.2
4	SHAFT, CLUTCH PEDAL – REPLACE	5830900	0.3	0.3	0.3
5	SWITCH, CLUTCH START – REPLACE	5831100	0.2	0.2	0.2
6	BRACKET, CLUTCH PEDAL – REPLACE	5831300	0.3	0.3	0.3