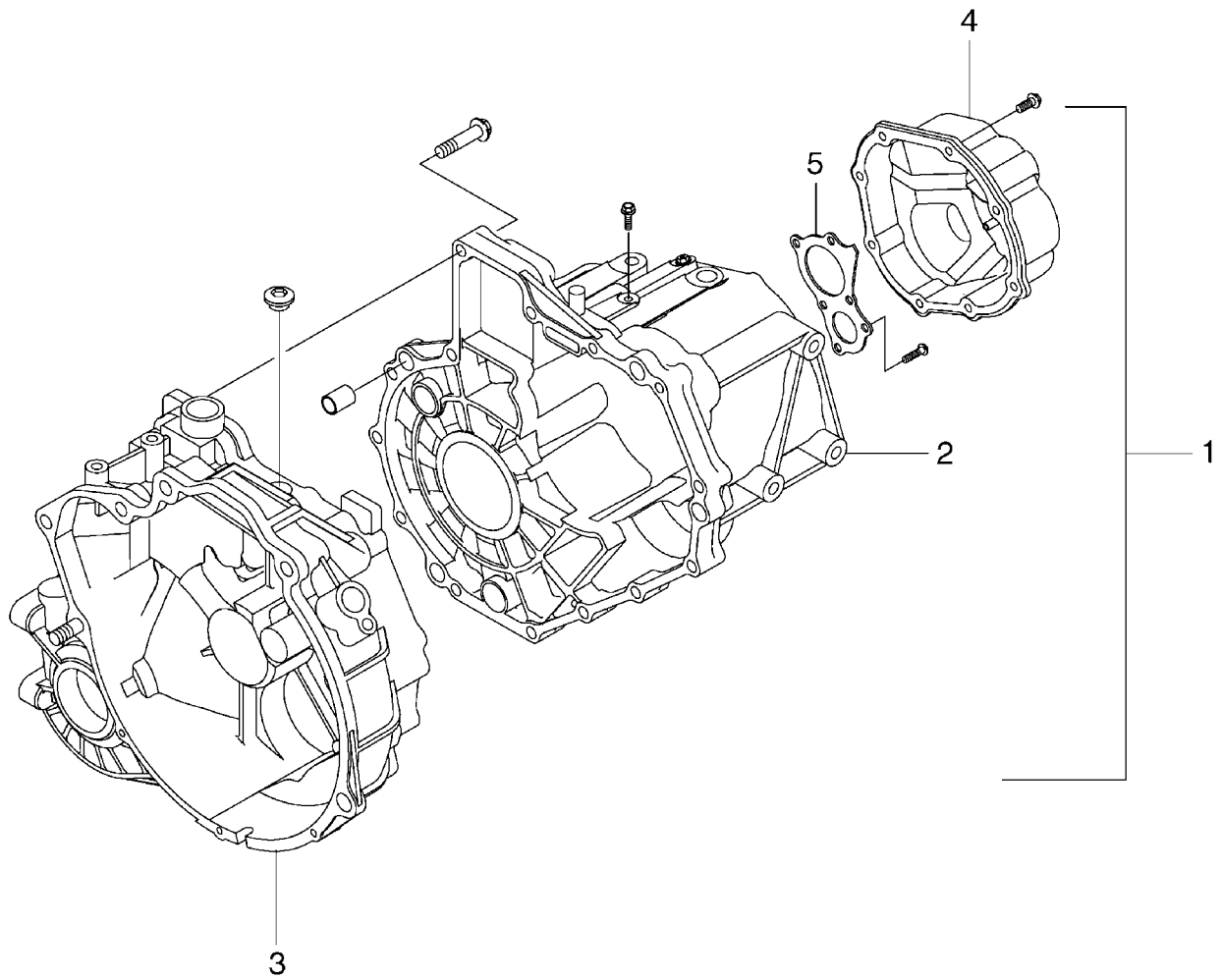


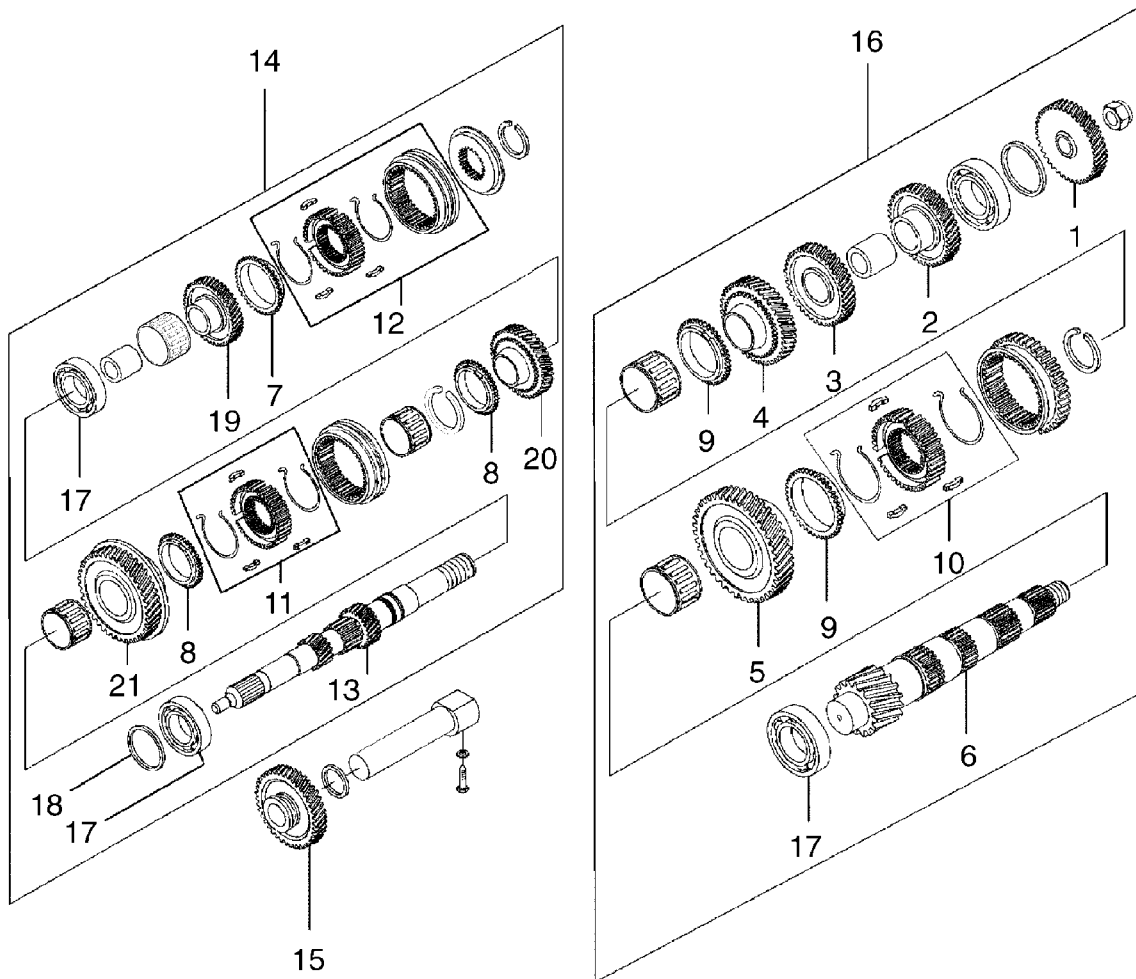
**SECTION 5B2****TRANSMISSION / TRANSAXLE  
(FIVE-SPEED MANUAL TRANSAXLE: Y4M)**

571. MANUAL TRANSAXLE .....	5B2 - 3
572. TRANSAXLE GEAR .....	5B2 - 5
573. GEAR SHIFT COVER & FORK .....	5B2 -11
574. DIFFERENTIAL GEAR .....	5B2 -13
575. SHIFT CONTROL .....	5B2 -15



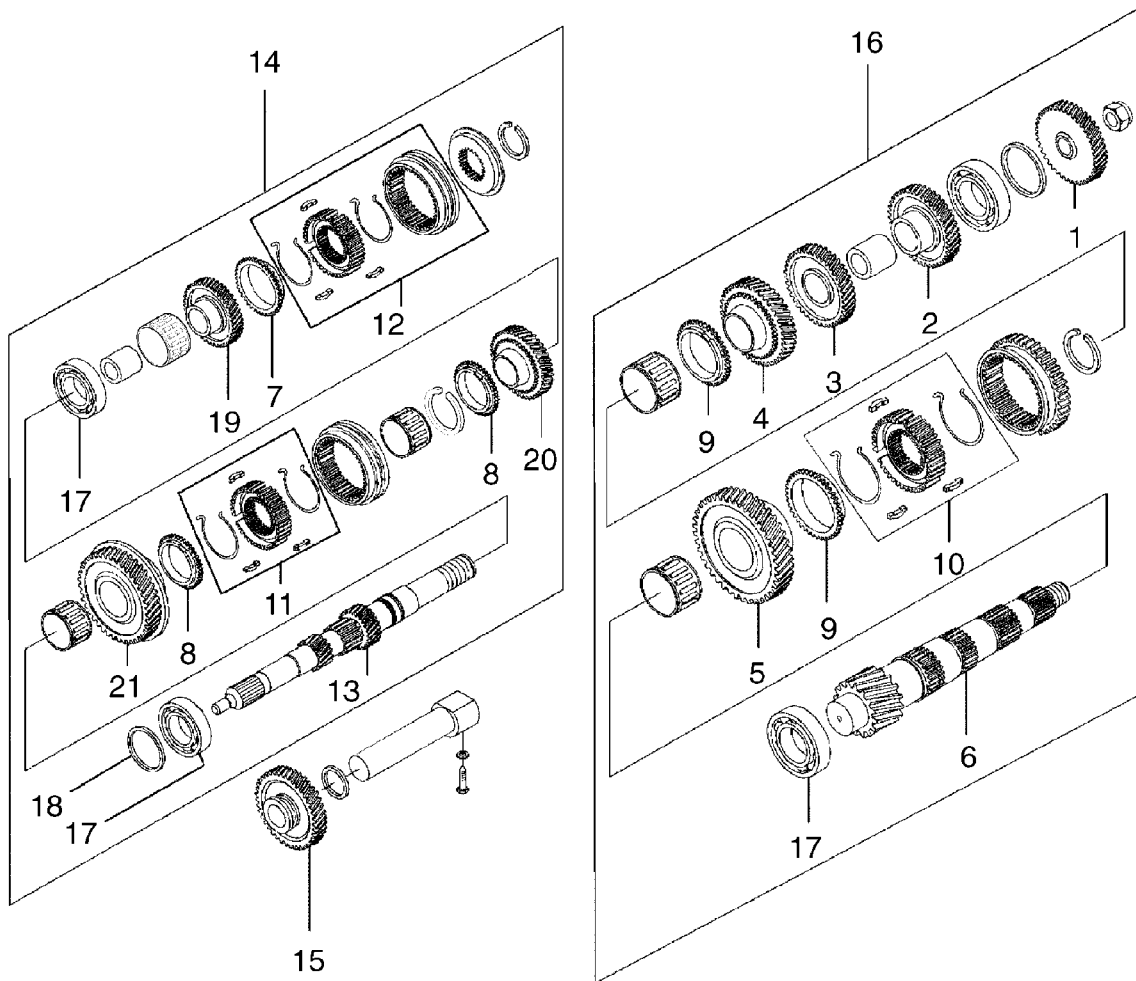
<b>FIVE-SPEED M/T(Y4M) – MANUAL TRANSAXLE (571)</b>					
<b>NO.</b>	<b>OPERATION DESCRIPTION</b>	<b>OPERATION CODE</b>	<b>MODEL</b>		
			<b>S</b>	<b>N</b>	<b>L</b>
1	<b>TRANSAXLE ASSEMBLY – REPLACE</b> INC : Replace clutch release bearing necessary	5710100	3.4	—	—
	<b>TRANSAXLE ASSEMBLY – OVERHAUL</b> INC : Replace clutch release bearing necessary	5710200	6.4	—	—
	<b>TRANSAXLE OIL – REPLACE</b>	5710300	0.4	—	—
2	<b>HOUSING, T/M (LEFT SIDE) – REPLACE</b>	5710400	4.7	—	—
3	<b>HOUSING, T/M (RIGHT SIDE) – REPLACE</b>	5710500	5.1	—	—
4	<b>COVER, T/M RR SIDE – REPLACE</b>	5710600	3.7	—	—
5	<b>PLATE, BEARING – REPLACE</b>	5710700	4.2	—	—

**S : KALOS, N : NUBIRA/LACETTI, L : EVANDA**



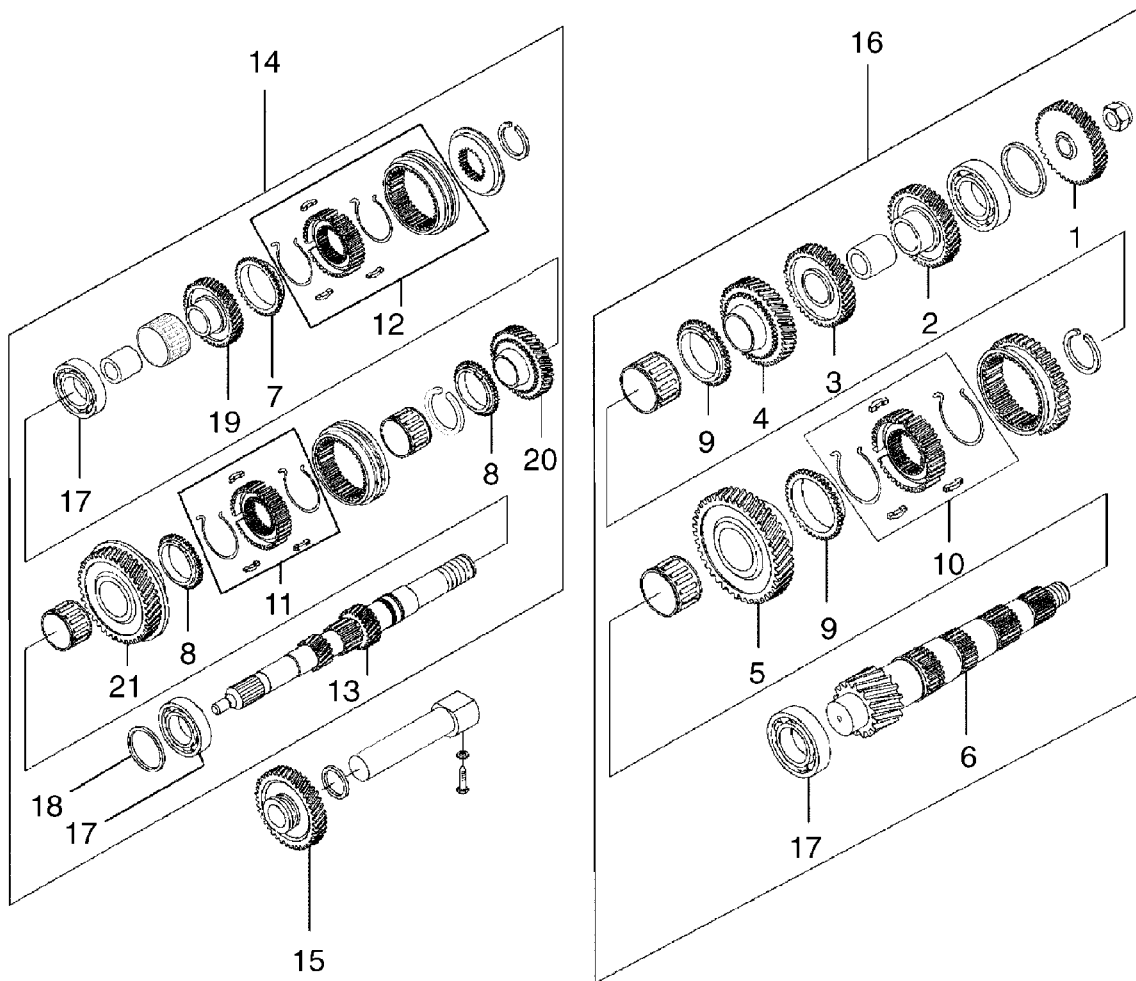
<b>FIVE-SPEED M/T(Y4M) – TRANSAXLE GEAR (572)</b>					
<b>NO.</b>	<b>OPERATION DESCRIPTION</b>	<b>OPERATION CODE</b>	<b>MODEL</b>		
			<b>S</b>	<b>N</b>	<b>L</b>
1	<b>GEAR, 5TH SPEED – REPLACE</b> INC : Shim selection time INC : R&R transaxle and replace clutch release bearing necessary	5720100	4.1	—	—
2	<b>GEAR, 4TH SPEED – REPLACE</b> INC : Shim selection time INC : R&R transaxle and replace clutch release bearing necessary	5720200	4.8	—	—
3	<b>GEAR, 3RD SPEED – REPLACE</b> INC : Shim selection time INC : R&R transaxle and replace clutch release bearing necessary	5720300	4.8	—	—
4	<b>GEAR, 2ND SPEED – REPLACE</b> INC : Shim selection time INC : R&R transaxle and replace clutch release bearing necessary	5720400	4.8	—	—
5	<b>GEAR, 1ST SPEED – REPLACE</b> INC : Shim selection time INC : R&R transaxle and replace clutch release bearing necessary	5720500	4.9	—	—
6	<b>SHAFT, TRANSAXLE COUNTER – REPLACE</b> INC : Shim selection time INC : R&R transaxle and replace clutch release bearing necessary	5720600	5.0	—	—
7	<b>SYNCHRONIZERS (5TH) – REPLACE</b> INC : Shim selection time INC : R&R transaxle and replace clutch release bearing necessary	5720700	3.8	—	—
8	<b>SYNCHRONIZERS (3RD-4TH) – REPLACE</b> INC : Shim selection time INC : R&R transaxle and replace clutch release bearing necessary	5720800	4.9	—	—
9	<b>SYNCHRONIZERS (1ST-2ND) – REPLACE</b> INC : Shim selection time INC : R&R transaxle and replace clutch release bearing necessary	5720900	4.9	—	—
10	<b>GEAR, SLIDING – REPLACE</b> INC : Shim selection time INC : R&R transaxle and replace clutch release bearing necessary	5721000	4.9	—	—

**S : KALOS, N : NUBIRA/LACETTI, L : EVANDA**



<b>FIVE-SPEED M/T(Y4M) – TRANSAXLE GEAR (572)</b>					
<b>NO.</b>	<b>OPERATION DESCRIPTION</b>	<b>OPERATION CODE</b>	<b>MODEL</b>		
			<b>S</b>	<b>N</b>	<b>L</b>
11	<b>SLEEVE, SHIFT – REPLACE</b> INC : Shim selection time INC : R&R transaxle and replace clutch release bearing necessary	5721100	4.9	—	—
12	<b>SLEEVE, 5TH SPEED SHIFT – REPLACE</b> INC : Shim selection time INC : R&R transaxle and replace clutch release bearing necessary	5721200	3.8	—	—
13	<b>INPUT SHAFT, TRANSAXLE – REPLACE</b> INC : Shim selection time INC : R&R transaxle and replace clutch release bearing necessary	5721300	5.0	—	—
14	<b>INPUT SHAFT ASS'Y, TRANSAXLE – REPLACE</b> INC : Shim selection time INC : R&R transaxle and replace clutch release bearing necessary	5721400	4.7	—	—
15	<b>GEAR, REVERSE IDLE – REPLACE</b> INC : Shim selection time INC : R&R transaxle and replace clutch release bearing necessary	5721500	4.6	—	—
16	<b>COUNTER SHAFT ASS'Y, TRANSAXLE – REPLACE</b> INC : Shim selection time INC : R&R transaxle and replace clutch release bearing necessary	5721600	4.7	—	—
17	<b>BEARING, INPUT SHAFT – REPLACE</b> INC : Shim selection time INC : R&R transaxle and replace clutch release bearing necessary	5721700	4.7	—	—
18	<b>SEAL, INPUT SHAFT OIL – REPLACE</b> INC : Shim selection time INC : R&R transaxle and replace clutch release bearing necessary	5721800	4.7	—	—
19	<b>GEAR, 5TH SPEED (INPUT) – REPLACE</b> INC : Shim selection time INC : R&R transaxle and replace clutch release bearing necessary	5721900	3.8	—	—

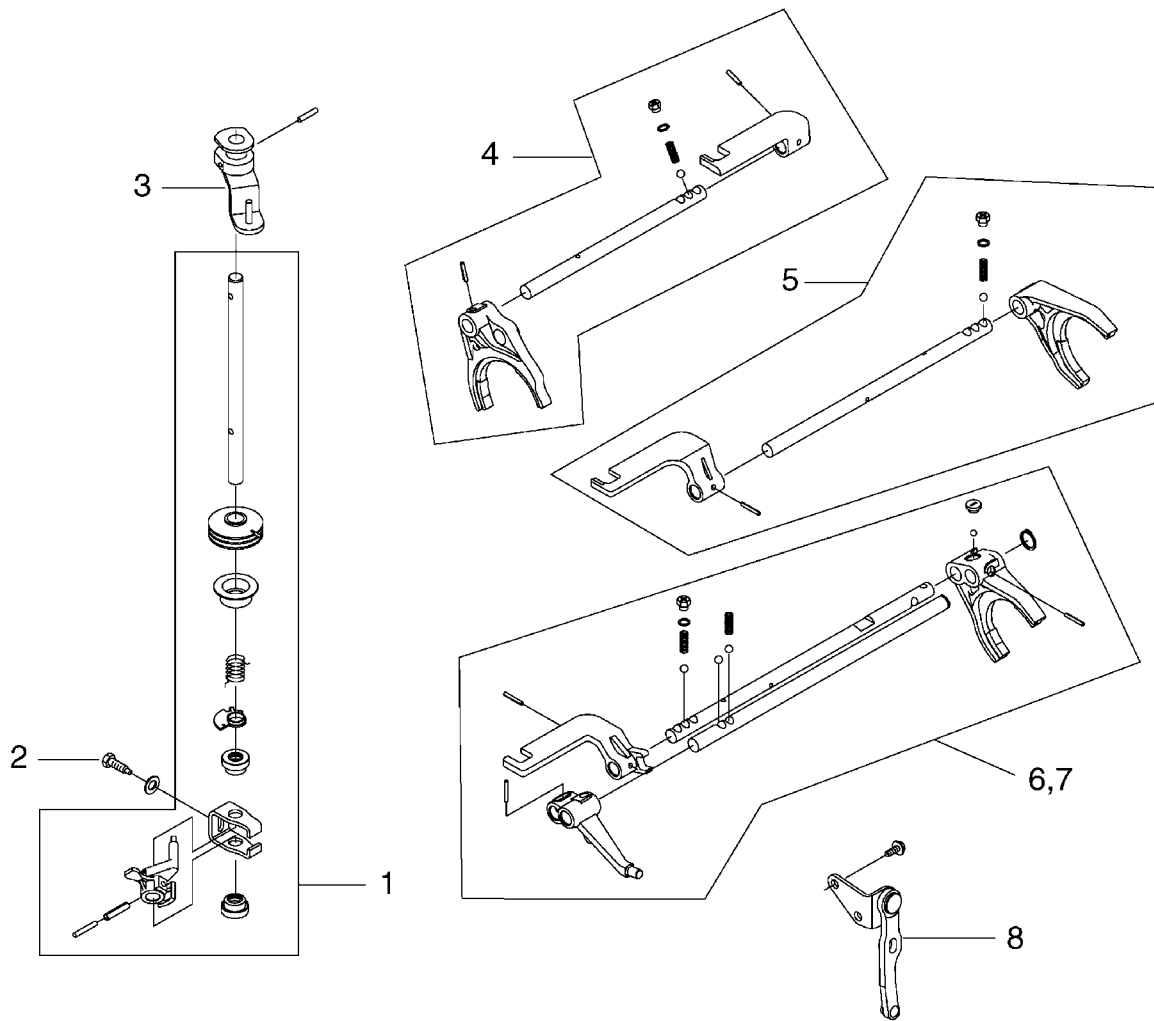
**S : KALOS, N : NUBIRA/LACETTI, L : EVANDA**



## FIVE-SPEED M/T(Y4M) – TRANSAXLE GEAR (572)

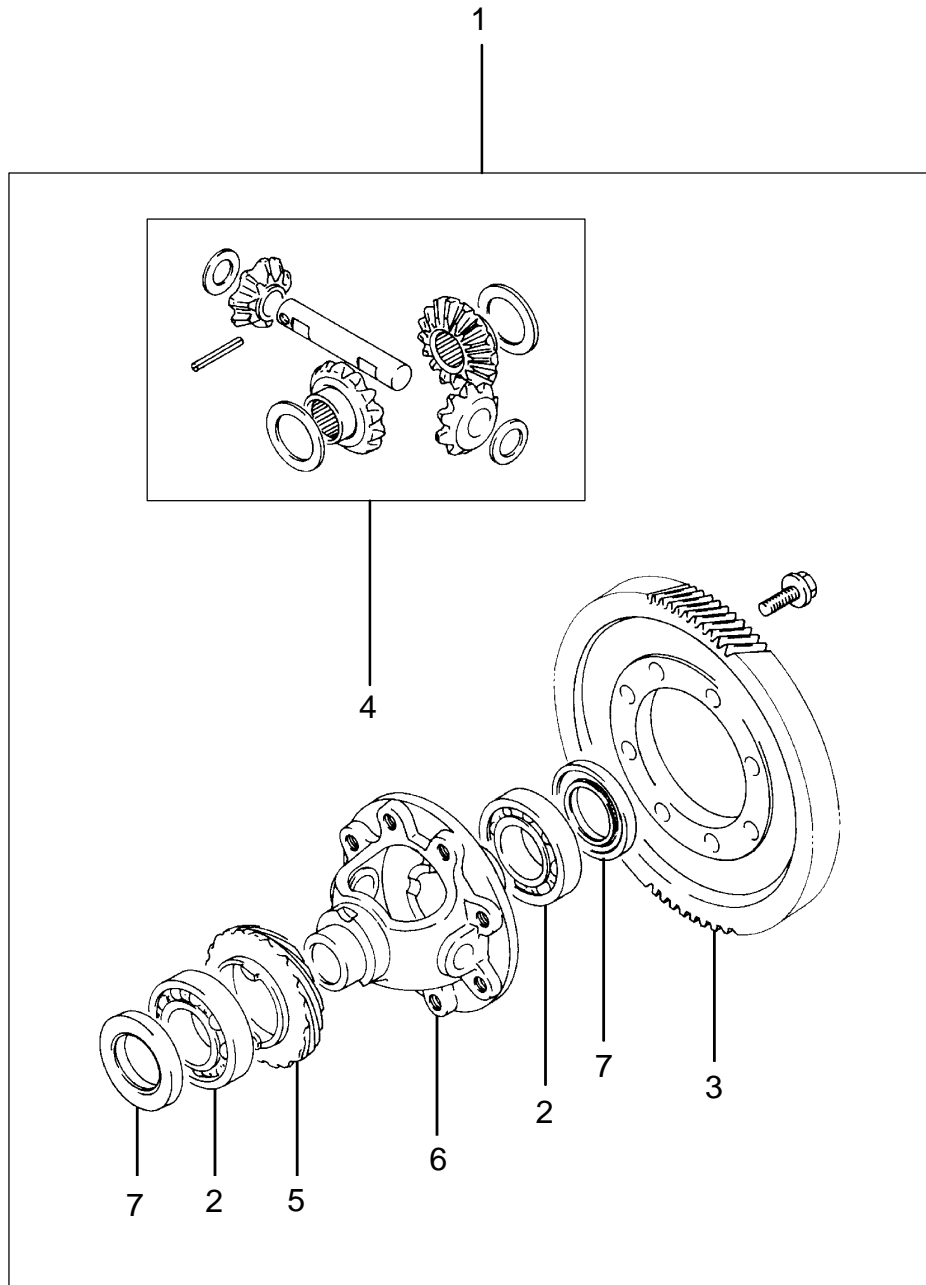
NO.	OPERATION DESCRIPTION	OPERATION CODE	MODEL		
			S	N	L
20	<b>4TH GEAR AND/OR BEARING, INPUT – REPLACE</b> INC : Shim selection time INC : R&R transaxle and replace clutch release bearing necessary	5722000	4.8	—	—
21	<b>3TH GEAR AND/OR BEARING, INPUT – REPLACE</b> INC : Shim selection time INC : R&R transaxle and replace clutch release bearing necessary	5722100	4.9	—	—

**S : KALOS, N : NUBIRA/LACETTI, L : EVANDA**



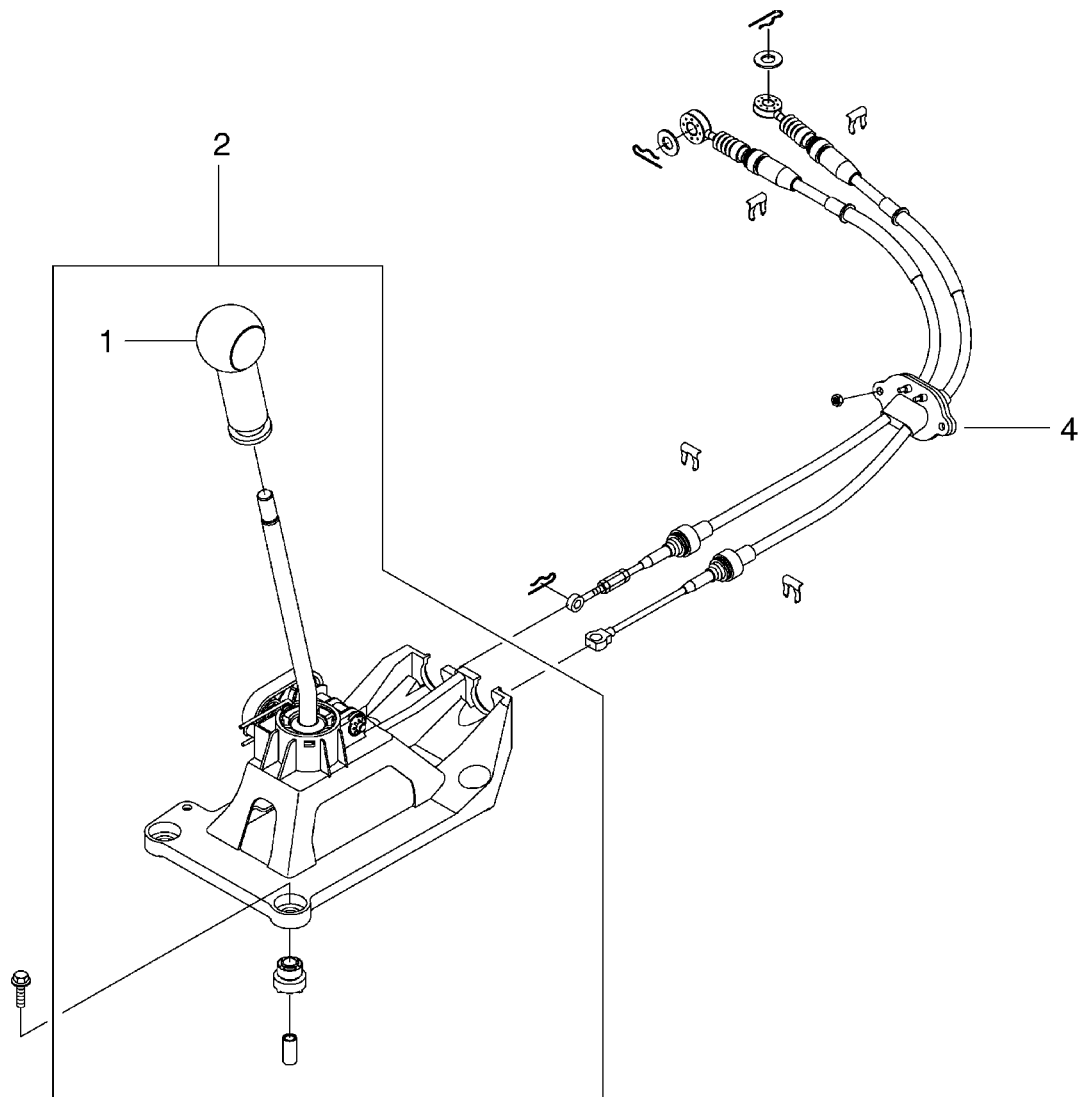
<b>FIVE-SPEED M/T(Y4M) – GEAR SHIFT COVER &amp; FORK (573)</b>					
<b>NO.</b>	<b>OPERATION DESCRIPTION</b>	<b>OPERATION CODE</b>	<b>MODEL</b>		
			<b>S</b>	<b>N</b>	<b>L</b>
1	<b>SHAFT AND / OR LEVER, GEAR SHIFT AND SELECT – REPLACE</b>	5730100	4.7	—	—
2	<b>BOLT, INTERLOCK – REPLACE</b>	5730200	0.3	—	—
3	<b>LEVER, SHIFT – REPLACE</b>	5730300	0.8	—	—
4	<b>FORK AND/OR SHAFT, SHIFT (1ND-2ND) – REPLACE</b> INC : R&R transaxle and replace clutch release bearing necessary	5730400	4.7	—	—
5	<b>FORK AND/OR SHAFT, SHIFT (3RD-4TH) – REPLACE</b> INC : R&R transaxle and replace clutch release bearing necessary	5730500	4.7	—	—
6	<b>FORK AND/OR SHAFT, SHIFT (REVERSE) – REPLACE</b> INC : R&R transaxle and replace clutch release bearing necessary	5730600	4.6	—	—
7	<b>SHAFT, SHIFT FORK (5TH) – REPLACE</b>	5730700	4.8	—	—
8	<b>LEVER, REVERSE GEAR – REPLACE</b>	5730800	4.6	—	—

**S : KALOS, N : NUBIRA/LACETTI, L : EVANDA**



<b>FIVE-SPEED M/T(Y4M) – DIFFERENTIAL GEAR (574)</b>					
<b>NO.</b>	<b>OPERATION DESCRIPTION</b>	<b>OPERATION CODE</b>	<b>MODEL</b>		
			<b>S</b>	<b>N</b>	<b>L</b>
1	<b>DIFFERENTIAL ASSEMBLY – REPLACE</b> INC : Inner axle oil seal, outer axle oil seal replace INC : R&R transaxle and replace clutch release bearing necessary	5740100	4.7	—	—
2	<b>SIDE BEARINGS – REPLACE</b> INC : Inner axle oil seal, outer axle oil seal replace INC : R&R transaxle and replace clutch release bearing necessary	5740200	4.8	—	—
3	<b>RING GEAR – REPLACE</b> INC : Inner axle oil seal, outer axle oil seal replace INC : R&R transaxle and replace clutch release bearing necessary	5740300	4.8	—	—
4	<b>PINIONS AND SIDE GEARS – REPLACE</b> INC : Inner axle oil seal, outer axle oil seal replace INC : R&R transaxle and replace clutch release bearing necessary	5740400	4.9	—	—
5	<b>SPEEDOMETER GEAR – REPLACE</b> INC : Inner axle oil seal, outer axle oil seal replace INC : R&R transaxle and replace clutch release bearing necessary	5740500	4.8	—	—
6	<b>DIFFERENTIAL HOUSING – REPLACE</b> INC : Inner axle oil seal, outer axle oil seal replace INC : R&R transaxle and replace clutch release bearing necessary	5740600	5.1	—	—
7	<b>SEALS, AXLE (TRANSAXLE) – REPLACE</b>				
	Right	5740700	1.1	—	—
	Left	5740800	1.1	—	—
	Both	5740900	1.8	—	—

**S : KALOS, N : NUBIRA/LACETTI, L : EVANDA**



## FIVE-SPEED M/T(Y4M) – SHIFT CONTROL (575)

NO.	OPERATION DESCRIPTION	OPERATION CODE	MODEL		
			S	N	L
1	KNOB, GEARSHIFT LEVER – REPLACE	5750100	0.3	—	—
2	CONTROL ASSEMBLY, FLOOR MOUNTED GEARSHIFT – REPLACE	5750200	0.5	—	—
3	BOOT, GEARSHIFT – REPLACE	5750300	0.3	—	—
4	CABLE, GEAR SELECT & SHIFT – REPLACE	5750400	1.0	—	—

S : KALOS, N : NUBIRA/LACETTI, L : EVANDA