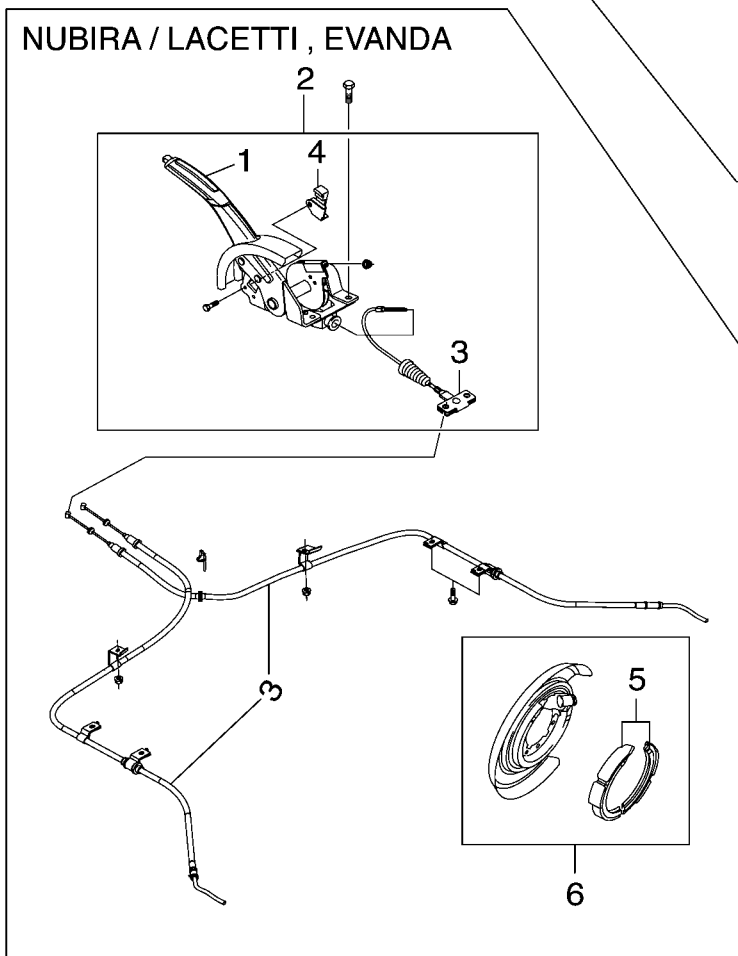
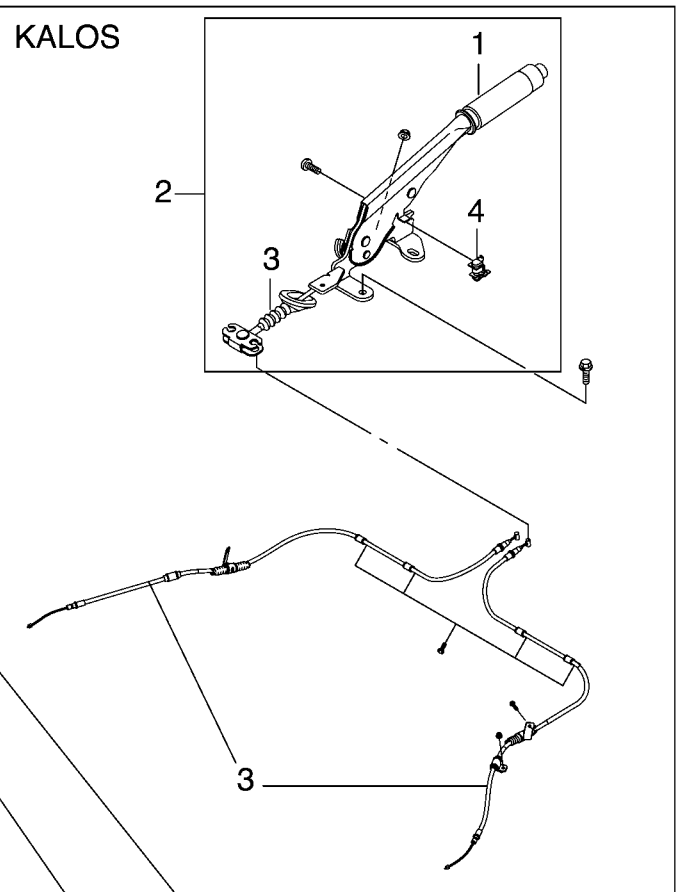


**SECTION 4G**

**BRAKE (PARKING BRAKES)**

478. PARKING BRAKE ..... 4G - 3



<b>PARKING BRAKES – PARKING BRAKE (478)</b>					
<b>NO.</b>	<b>OPERATION DESCRIPTION</b>	<b>OPERATION CODE</b>	<b>MODEL</b>		
			<b>S</b>	<b>N</b>	<b>L</b>
	<b>PARKING BRAKE – ADJUST</b>	4780100	0.3	0.3	0.3
<b>1</b>	<b>GRIP, PARKING BRAKE HANDLE – REPLACE</b>	4780200	0.2	0.2	0.2
<b>2</b>	<b>CONTROL ASSEMBLY, PARKING BRAKE – REPLACE</b>	4780300	0.4	0.4	0.4
<b>3</b>	<b>CABLE, PARKING BRAKE – REPLACE</b>	Front 4780500	0.5	0.5	—
		Rear, Both 4780600	0.8	0.7	0.7
<b>4</b>	<b>SWITCH, PARK BRAKE LAMP</b>	4780800	0.2	0.5	0.5
<b>5</b>	<b>SHOE, PARKING BRAKE – REPLACE</b>	4781100	—	0.6	0.6
<b>6</b>	<b>SHOE ASS'Y, PARKING BRAKE – REPLACE</b>	4781300	—	0.8	0.8