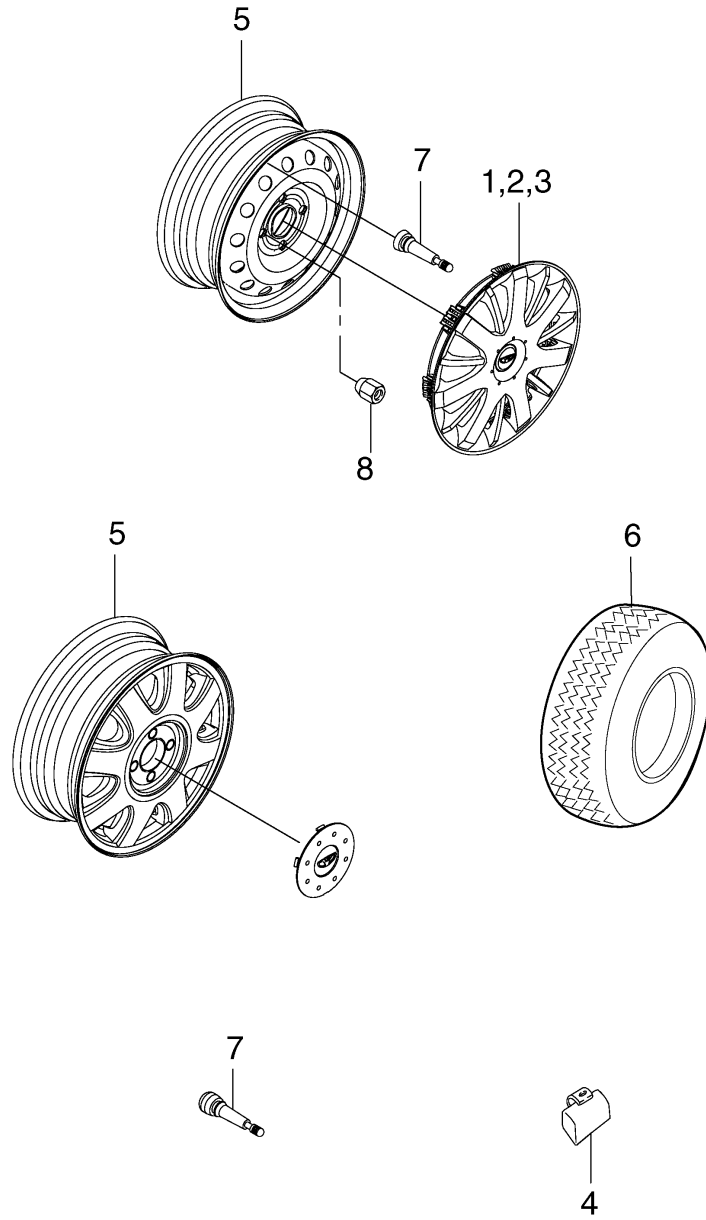


**SECTION 2E**

**SUSPENSION (TIRES & WHEEL)**

241. WHEELS & WHEEL COVER .....2E - 3



<b>TIRES &amp; WHEEL – WHEELS &amp; WHEEL COVER (241)</b>					
<b>NO.</b>	<b>OPERATION DESCRIPTION</b>	<b>OPERATION CODE</b>	<b>MODEL</b>		
			<b>S</b>	<b>N</b>	<b>L</b>
1	COVER, WHEEL (FRONT) – REPLACE	2410100	0.2	0.2	0.2
2	COVER, WHEEL (RR) – REPLACE	2410300	0.2	0.2	0.2
3	COVER, WHEEL (ALL) – REPLACE	2410500	0.2	0.2	0.2
4	WHEEL – BALANCE	One 2410700	0.4	0.4	0.4
		Two 2410800	0.7	0.7	0.7
		Four 2410900	1.2	1.2	1.2
5	WHEEL – REPLACE	One 2411100	0.6	0.6	0.6
		Two 2411110	1.0	1.0	1.0
		Three 2411120	1.4	1.4	1.4
		Four 2411130	1.8	1.8	1.8
6	TIRE – REPLACE	One 2411300	0.6	0.6	0.6
		Two 2411310	1.0	1.0	1.0
		Three 2411320	1.4	1.4	1.4
		Four 2411330	1.8	1.8	1.8
7	STEM, VALVE – REPLACE	One 2411500	0.4	0.4	0.4
		Two 2411510	0.6	0.6	0.6
		Three 2411520	0.8	0.8	0.8
		Four 2411530	1.0	1.0	1.0
8	NUT, WHEEL – REPLACE	2411700	0.2	0.2	0.2