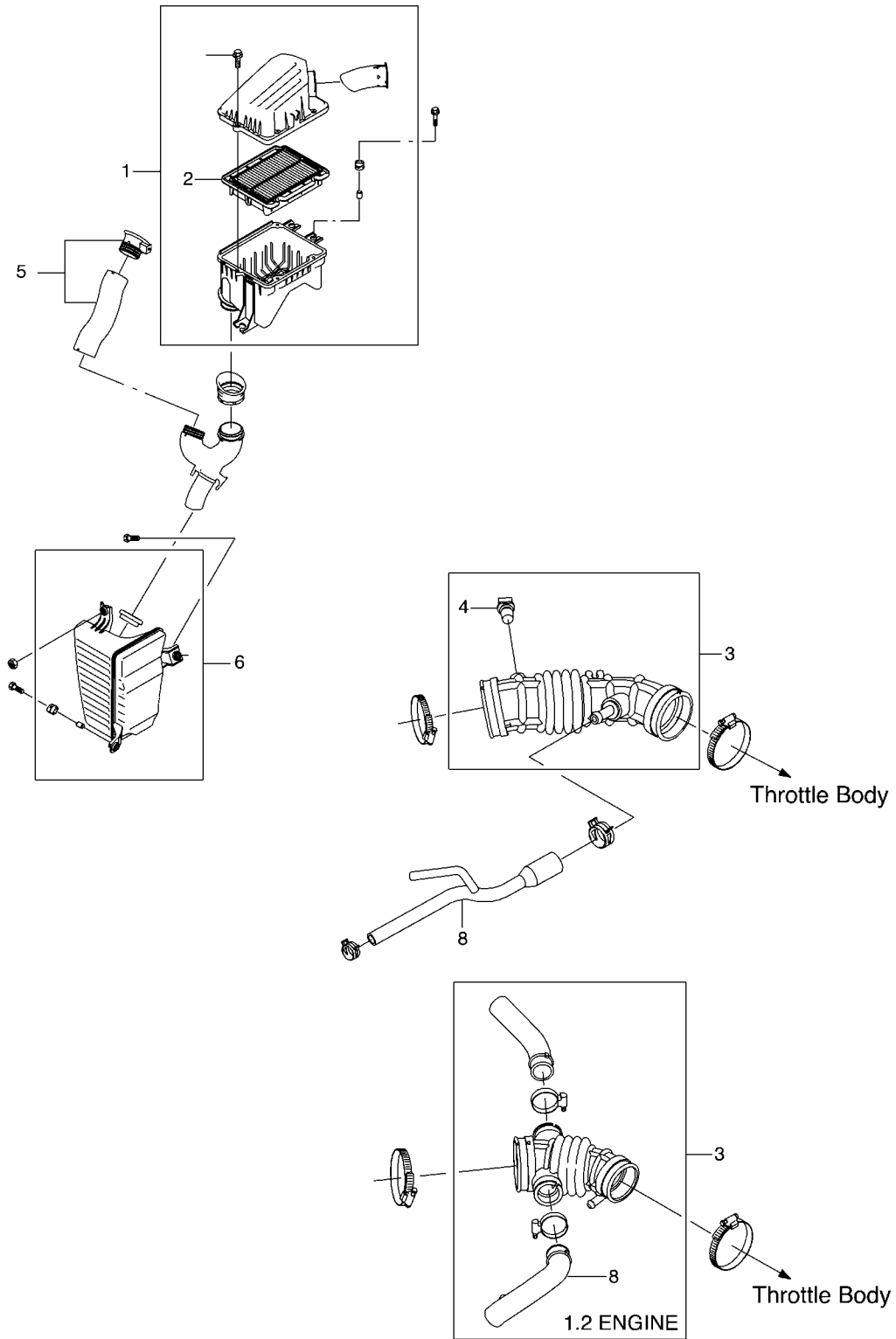
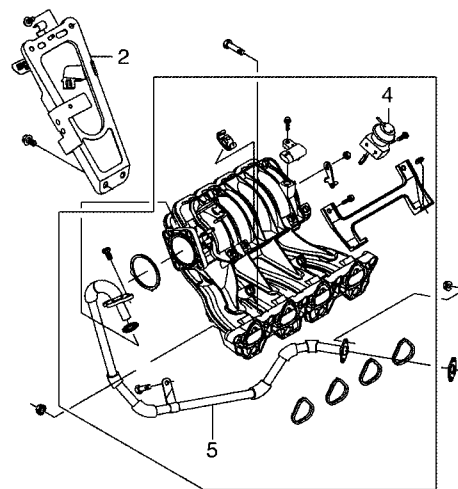
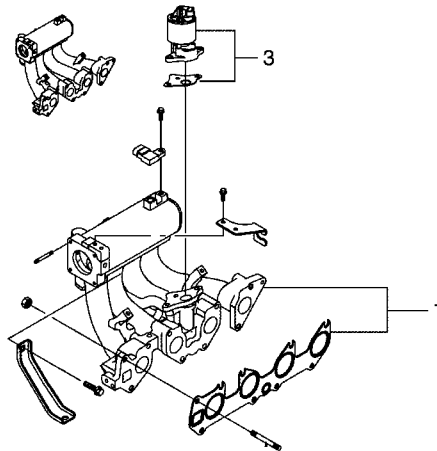
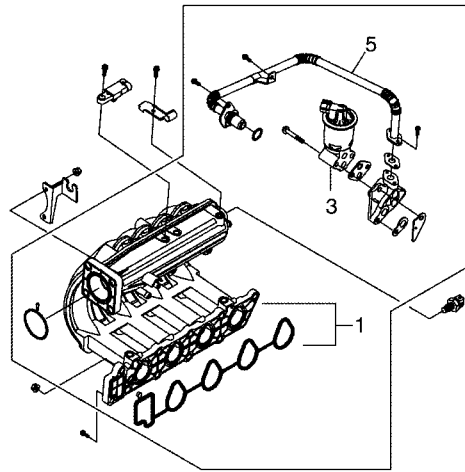


SECTION 1G**ENGINE (ENGINE INTAKE & EXHAUST)**

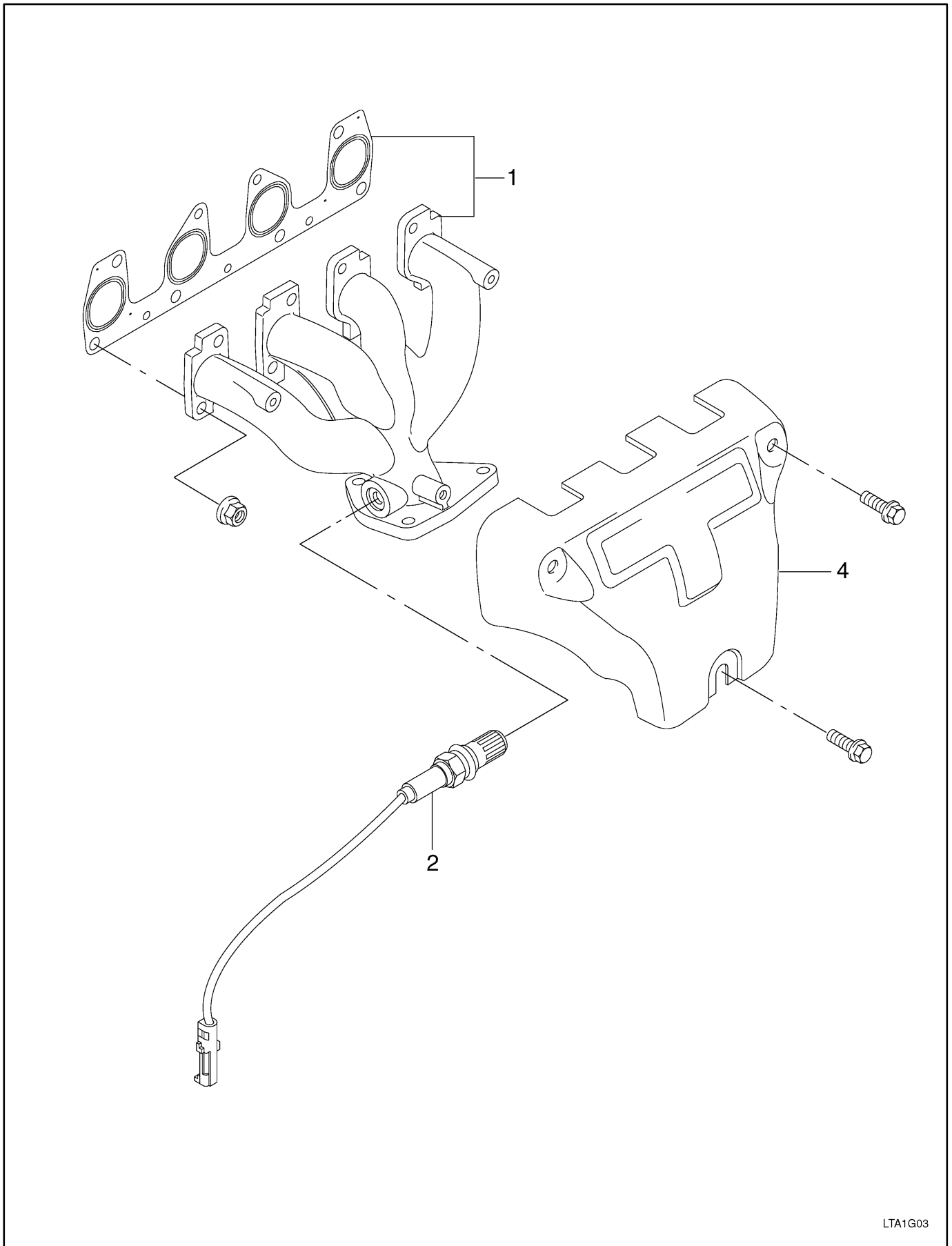
191. AIR INTAKE SYSTEM	1G - 3
193. INTAKE MANIFOLD	1G - 5
194. EXHAUST MANIFOLD	1G - 7
195. VACUUM HOSE	1G - 9
196. EXHAUST PIPE LINE	1G -11



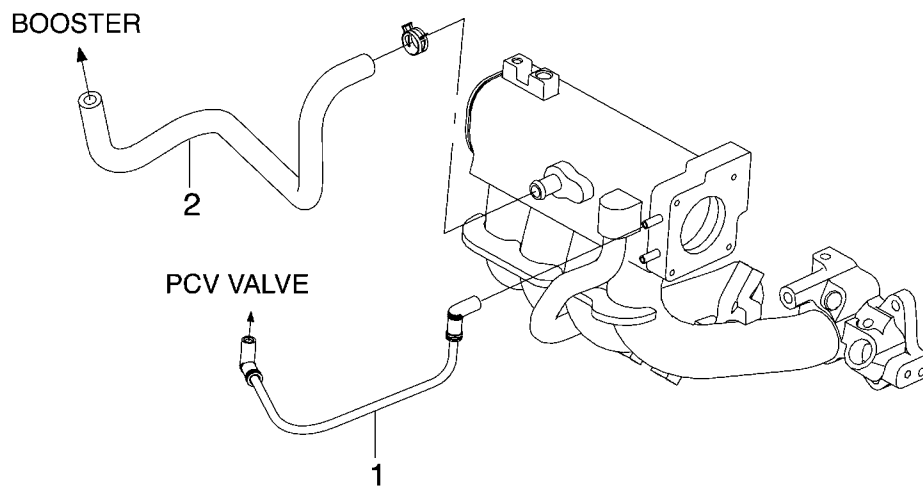
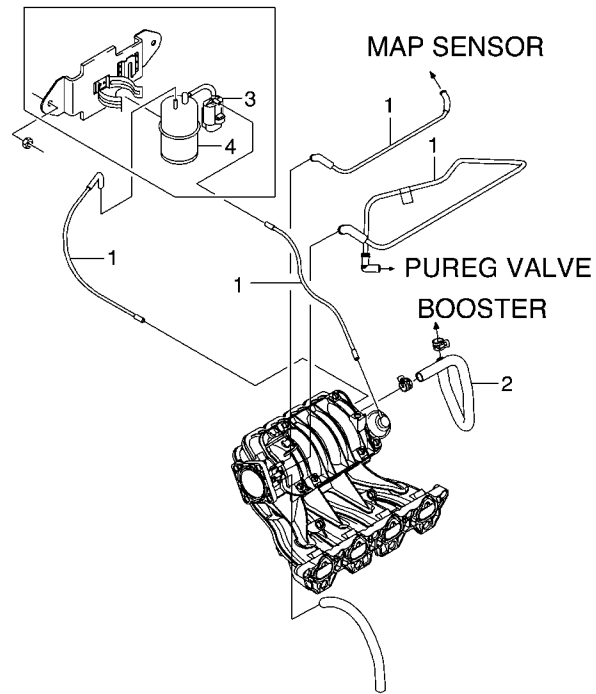
ENGINE INTAKE & EXHAUST – AIR INTAKE SYSTEM (191)					
NO.	OPERATION DESCRIPTION	OPERATION CODE	MODEL		
			S	N	L
1	AIR CLEANER – REPLACE	1910300	0.3	0.3	0.3
2	FILTER, AIR CLEANER – REPLACE	1910500	0.2	0.2	0.2
3	DUCT AND/OR HOSE, OUTSIDE AIR – REPLACE	1910700	0.3	0.3	0.3
4	SENSOR, MAT – REPLACE	1910900	0.2	0.2	0.2
5	DUCT AND/OR HOSE, OUTSIDE AIR – REPLACE	1911100	0.7	0.7	—
6	RESONATOR, AIR CLEANER MAIN – REPLACE	1911300	0.7	0.7	0.7
7	RESONATOR, AUXILIARY – REPLACE	1911500	—	0.3	0.4
8	HOSE, BREATHER – REPLACE	1912900	0.2	0.2	0.2
9	DUCT, AIR INLET – REPLACE	1913000	—	—	0.2



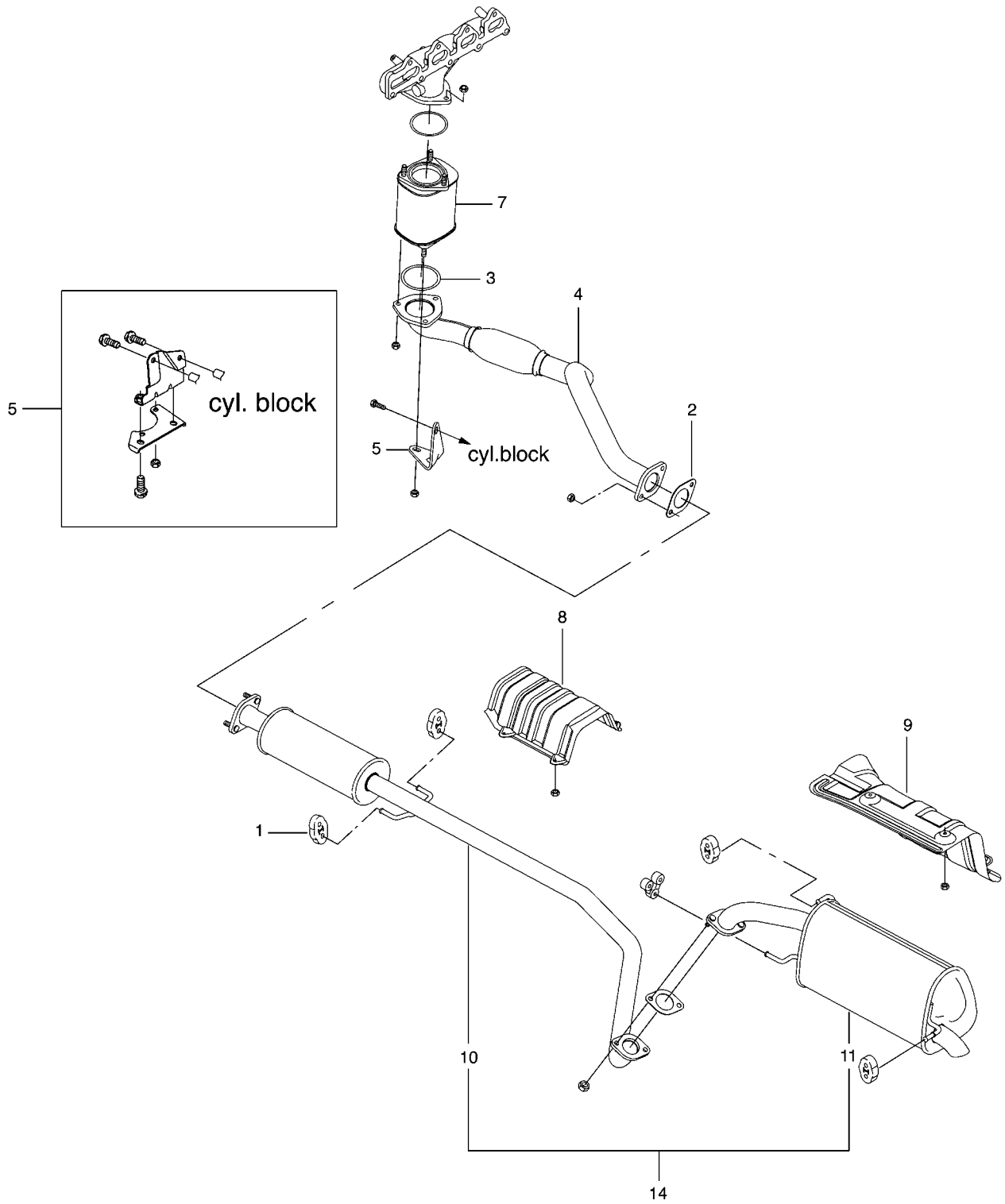
ENGINE INTAKE & EXHAUST – INTAKE MANIFOLD (193)					
NO.	OPERATION DESCRIPTION	OPERATION CODE	MODEL		
			S	N	L
1	MANIFOLD AND/OR GASKET, INTAKE – REPLACE	SOHC 1930100	1.8	—	—
		DOHC 1930200	1.6	1.4	1.8
2	BRACE, INTAKE MANIFOLD – REPLACE	SOHC 1930400	—	—	—
		DOHC 1930500	0.5	0.5	0.5
3	VALVE AND/OR GASKET, EGR – REPLACE	1930700	0.3	0.3	0.2
4	ACTUATOR, VGIS – REPLACE	1931500	0.2	0.2	—
5	PIPE, EGR – REPLACE	1932700	0.3	0.3	—



ENGINE INTAKE & EXHAUST – EXHAUST MANIFOLD (194)					
NO.	OPERATION DESCRIPTION	OPERATION CODE	MODEL		
			S	N	L
1	MANIFOLD AND/OR GASKET EXHAUST – REPLACE	SOHC 1940200	1.0	—	—
		DOHC 1940300	0.7	1.1	1.1
2	SENSOR, OXYGEN – REPLACE	SOHC 1940500	0.3	—	—
		DOHC 1940600	0.3	0.3	0.3
3	CO POTENTIOMETER – REPLACE INC : CO POTENTIOMETER Adjust.	1940700	0.2	0.2	0.2
4	COVER, EXHAUST MANIFOLD – REPLACE	1940800	0.5	0.6	0.5



ENGINE INTAKE & EXHAUST – VACUUM HOSE (195)					
NO.	OPERATION DESCRIPTION	OPERATION CODE	MODEL		
			S	N	L
1	VACUUM HOSE – REPLACE				
	Map Sensor – Manifold	1950100	0.2	0.2	0.3
	Regulator – Manifold	1950200	—	—	0.2
	EGR – Manifold	1950300	—	—	—
	VGIS – Actuator	1950400	0.2	0.2	—
	PCV – Mainfold	1950500	0.2	0.2	—
2	VALVE, FILTER, HOSE AND/OR PIPE, VACUUM POWER BRAKE – REPLACE	1950900	0.3	0.3	0.2
3	SOLENOID, VGIS – REPLACE	1951100	0.2	0.2	—
4	VACUUM TANK, VGIS – REPLACE	1951300	0.2	0.2	—



ENGINE INTAKE & EXHAUST – EXHAUST PIPE LINE (196)					
NO.	OPERATION DESCRIPTION	OPERATION CODE	MODEL		
			S	N	L
	EXHAUST SYSTEM – ALIGN	1960100	0.3	0.3	0.3
1	HANGER AND/OR CLAMP, EXHAUST SYSTEM – REPLACE	1960300	0.3	0.3	0.3
2	SEAL, EXHAUST PIPE – REPLACE	1960500	0.4	0.3	0.4
3	SEAL, FRONT EXHAUST PIPE – REPLACE	1960700	0.5	0.6	0.5
4	PIPE, FRONT EXHAUST – REPLACE (MANIFOLD TO CONVERTER)	1960900	0.5	0.5	0.5
5	HANGER AND/OR BRACKET, CONVERTER – REPLACE	1961100	0.3	0.3	0.3
6	SHIELD, CONVERTER – REPLACE	1961300	—	—	—
7	CONVERTER – REPLACE	1961500	0.4	0.6	0.4
	CONVERTER, PUP – REPLACE	1961600	0.6	—	—
8	SHIELD, RESONATOR AND EXHAUST PIPE – REPLACE	1961700	0.5	0.4	0.4
9	SHIELD, MUFFLER – REPLACE	1961900	0.4	0.4	0.4
10	MUFFLER, FRONT – REPLACE	1962100	0.5	0.5	0.5
11	MUFFLER, REAR – REPLACE	1962200	0.5	0.5	0.5
12	TRIM, RING EXHAUST – REPLACE	1962300	—	—	—
13	SENSOR, CONVERTER – REPLACE	1962400	0.7	0.7	0.7
14	EXHAUST SYSTEM (COMPLETE) – REPLACE (SINGLE)	1962500	0.9	0.9	0.9