

**SECTION 11**

**BODY-FRAME REPAIR EQUIPMENT**

**CONTENTS**

**1. SCHEMATIC DIAGRAM OF STRAIGHTENING JIG ..... 11-2**

**2. EXAMPLE: STRAIGHTENING BODY-DAMAGE ..... 11-5**







## 2. EXAMPLE: STRAIGHTENING BODY-DAMAGE

### HIGH-POINT TRACTION

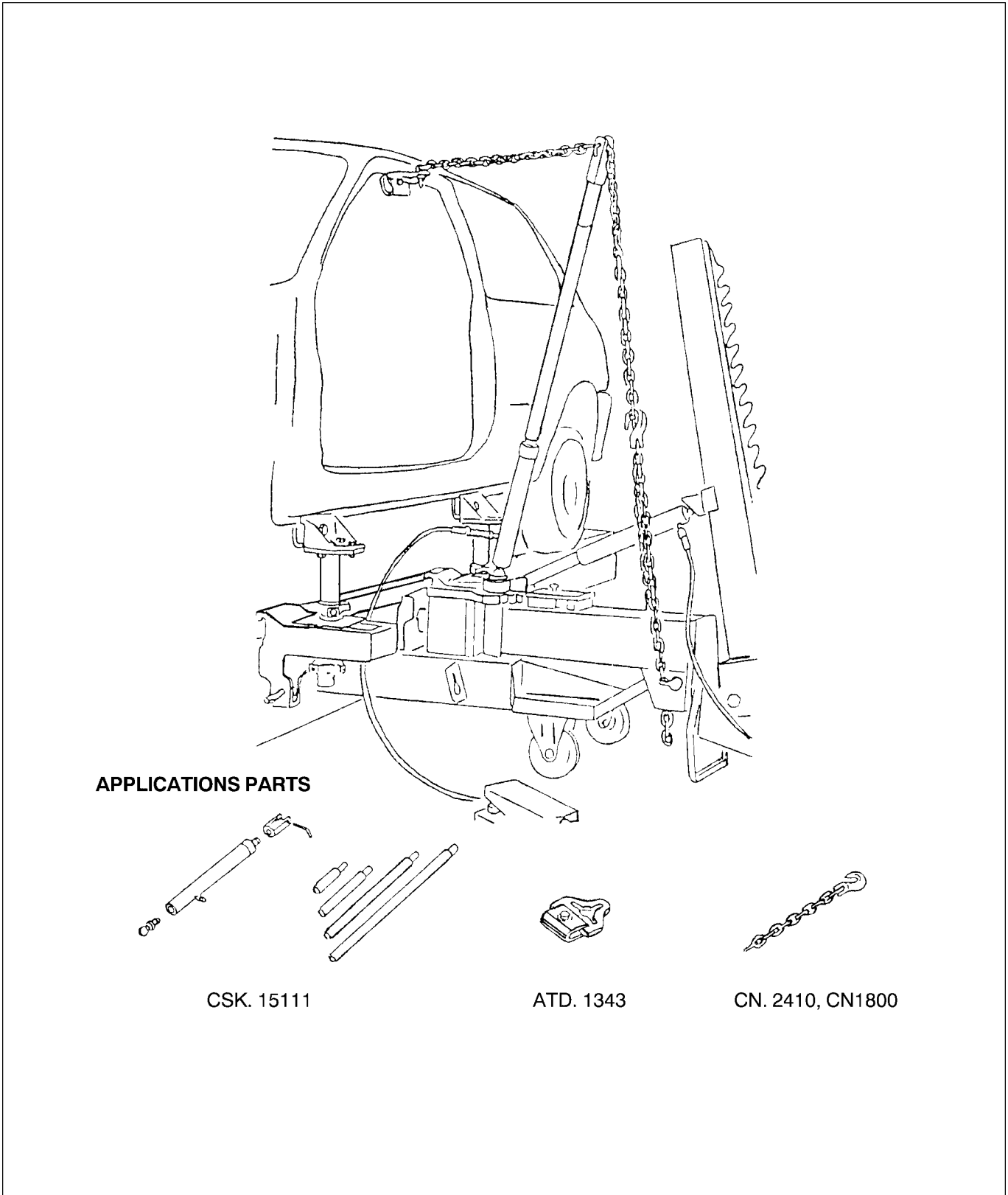
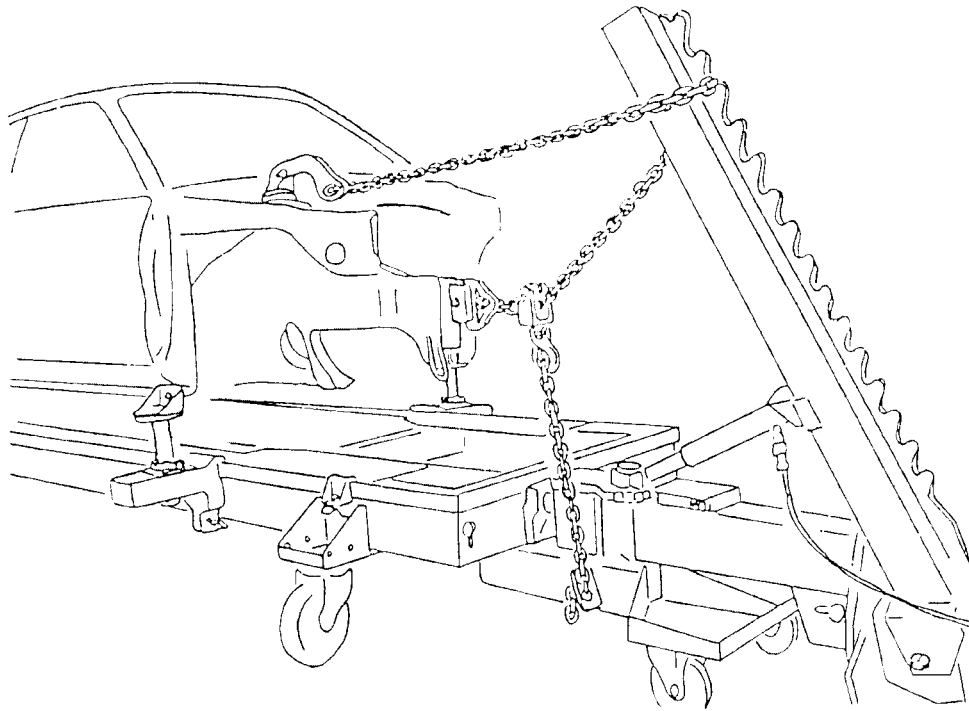


Fig. 4

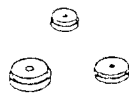
**TWO-POINT SIMULTANEOUS TRACTION**



**APPLICATIONS PARTS**



ATD. 149



ATD. xx. xxx



ATD1343



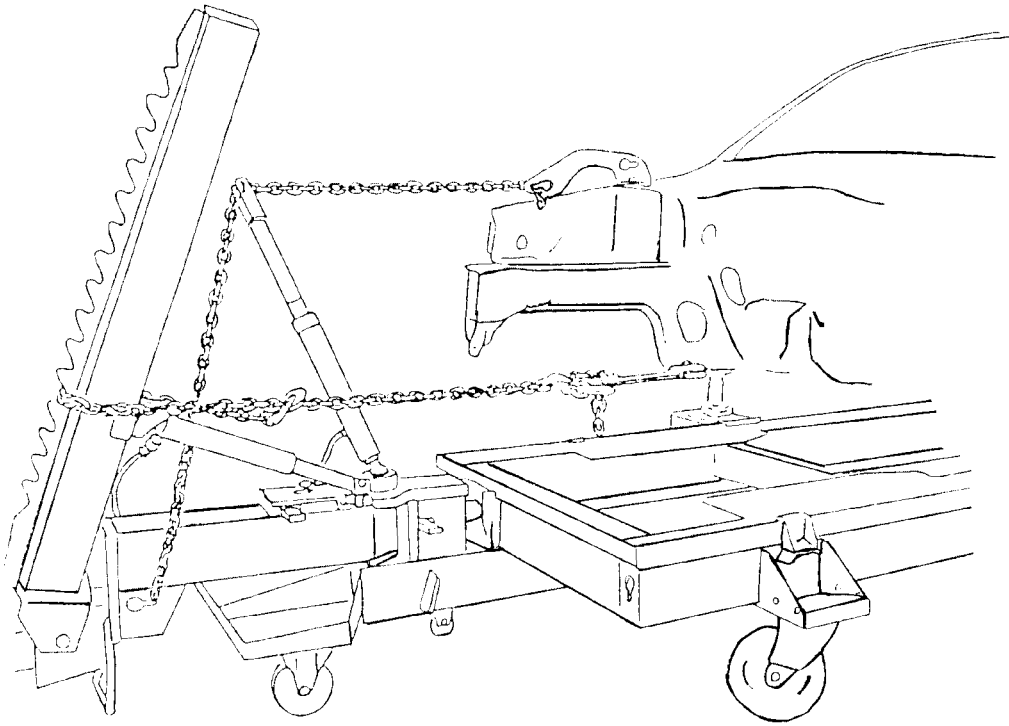
ATD. 01. 801



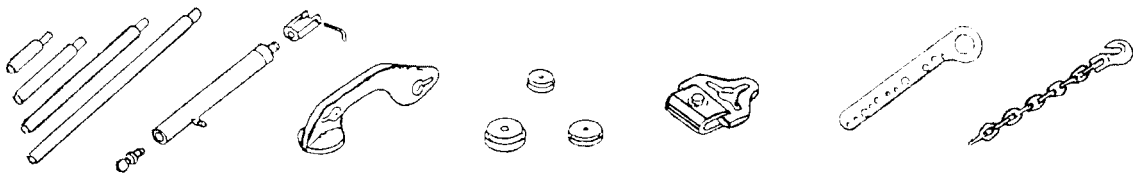
CN. 3000, CN. 1300

Fig. 5

**TWO-POINT TRACTION**



**APPLICATIONS PARTS**



CSK. 15111

ATD. 149

ATD. xx. xxx

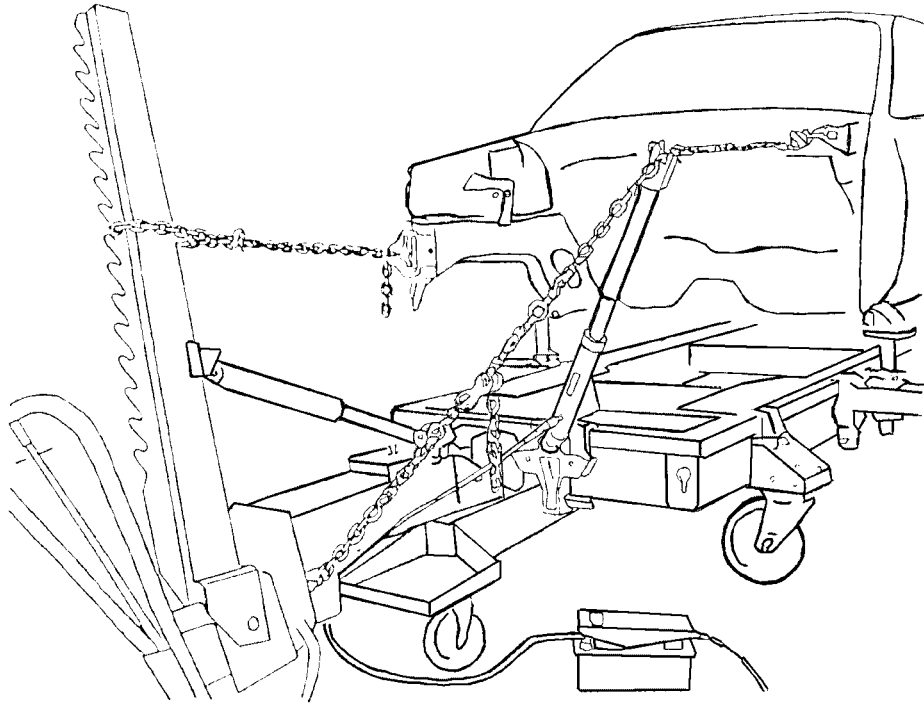
ATD. 1343

ATD. 135

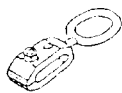
CN2410x3

Fig. 6

**MULTI-DIRECTIONAL TRACTION**



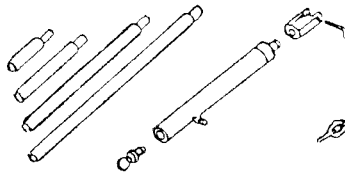
**APPLICATIONS PARTS**



ATD. 1324



ATD. 1343



CSK. 15111



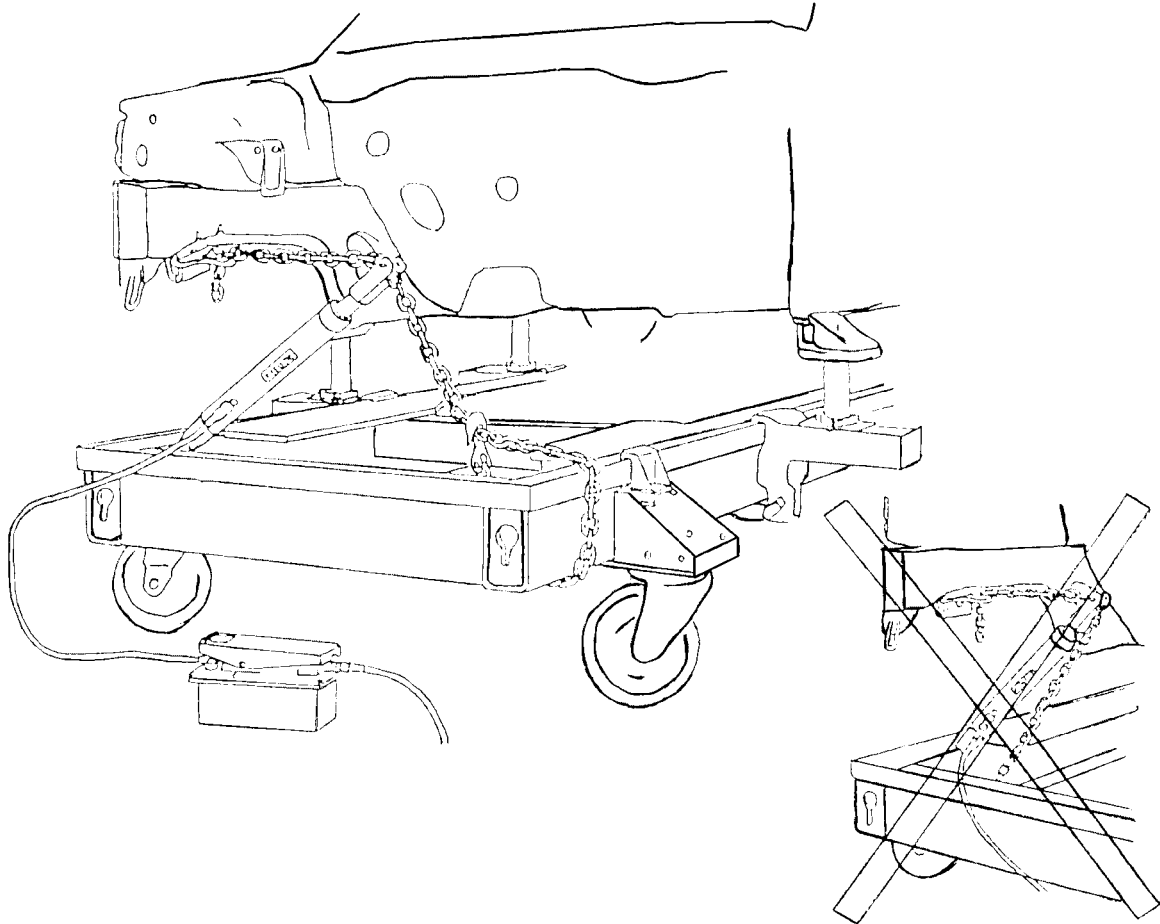
CN2410 x 3



9121523

Fig. 7

**SIDE-TRACTION**



**APPLICATIONS PARTS**



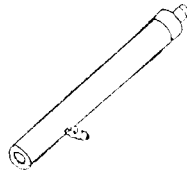
ATD. 1343



SK. 3103



SK. 1104



VS10S. 251



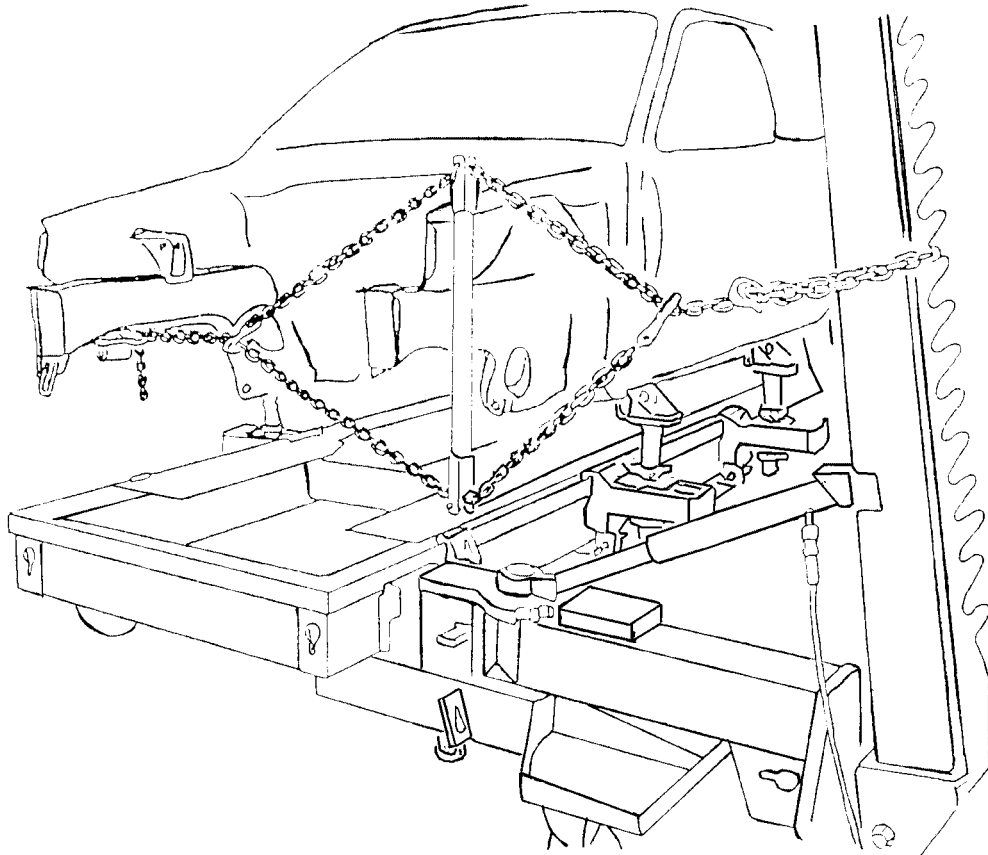
SK. 3107



CN2410

Fig. 8

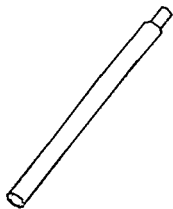
**SIDE-TRACTION**



**APPLICATIONS PARTS**



ATD. 1343



SK. 2103



SK. 1104



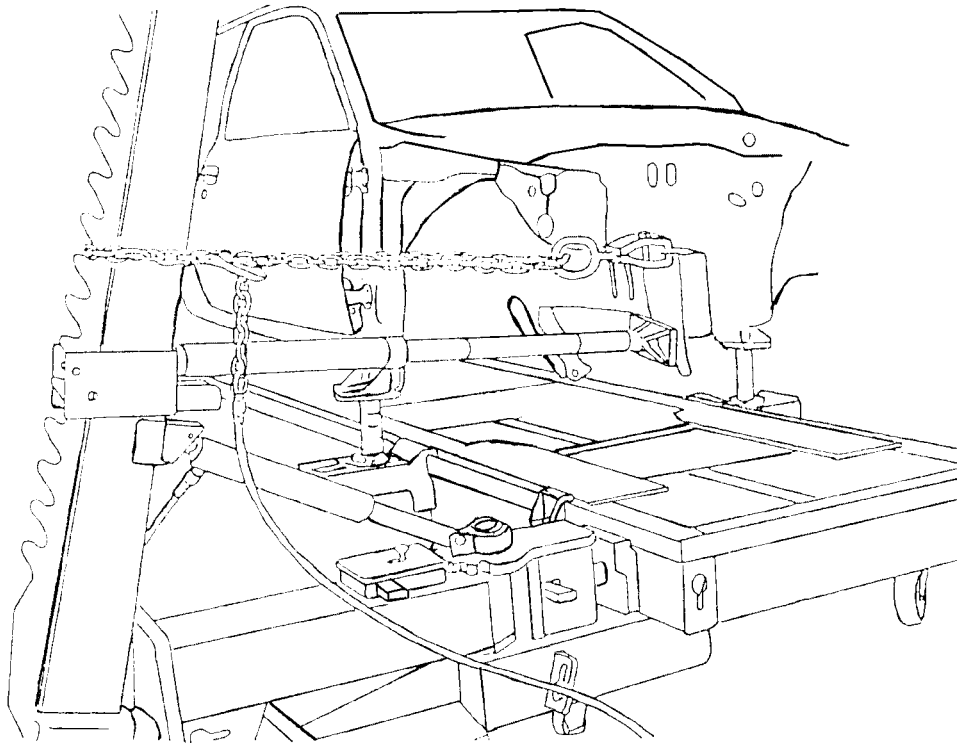
SK. 3107 x 2



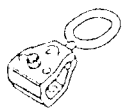
CN2410 x 2

Fig. 9

**PUSH AND TRACTION SIMULTANEOUS WORK**



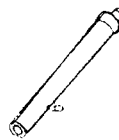
**APPLICATIONS PARTS**



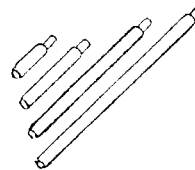
ATD. 1312



SK. 3101



VS10S. 251



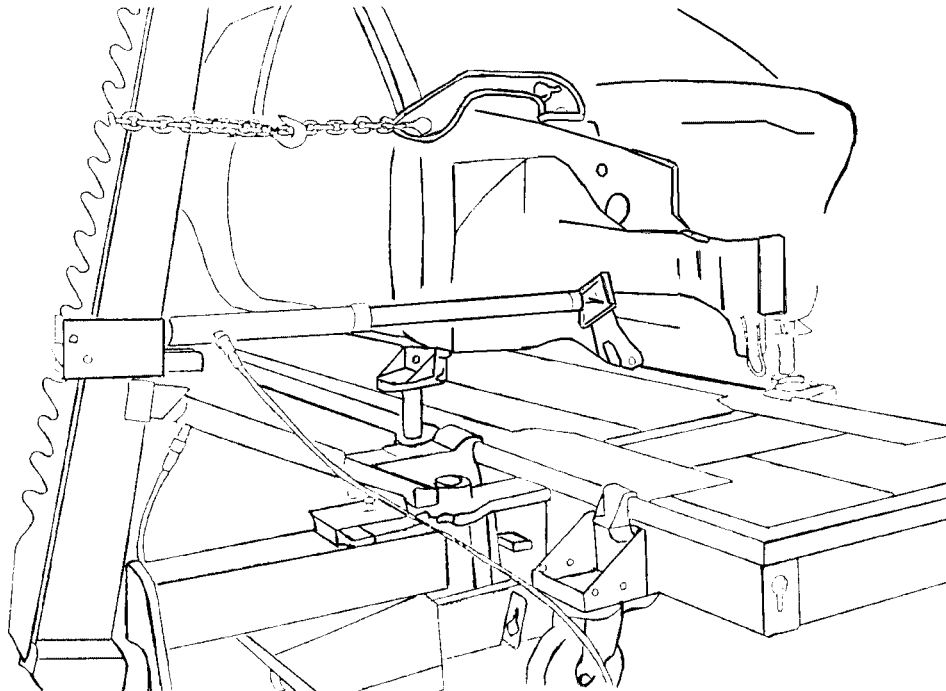
SK. 2101~4



CN24104

Fig. 10

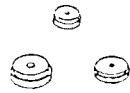
**PUSH AND TRACTION SIMULTANEOUS WORK**



**APPLICATIONS PARTS**



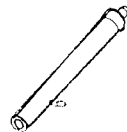
ATD. 149



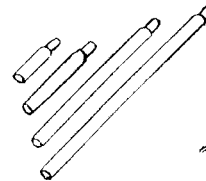
ATD. xx. xxx



SK. 3101



VS10S. 251



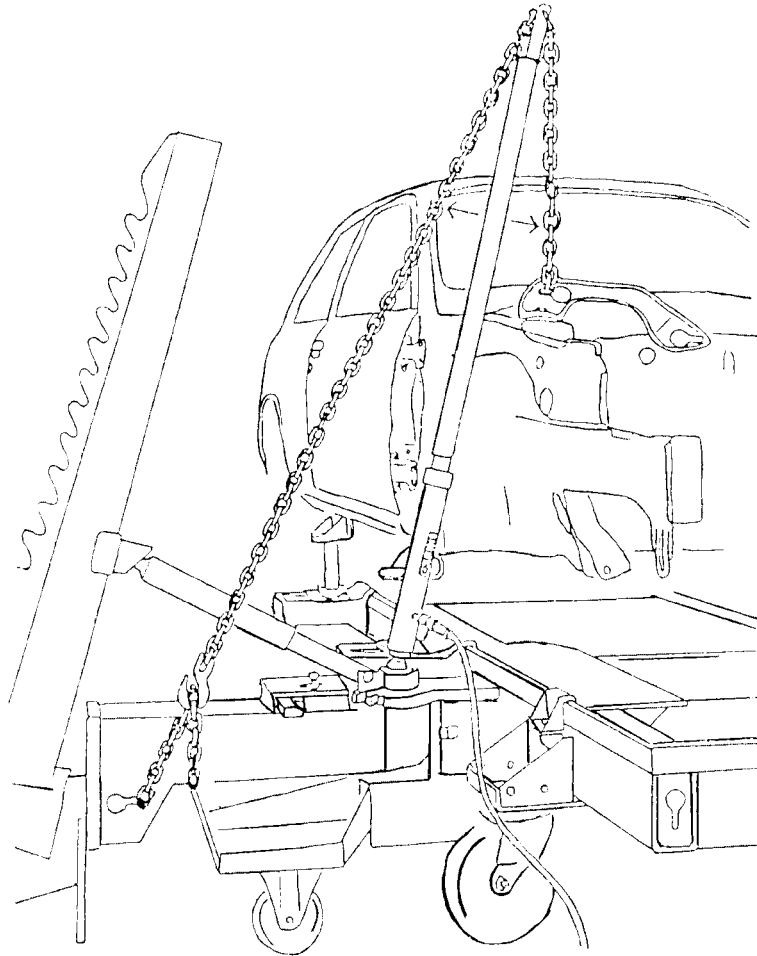
SK. 2101~4



CN24104

Fig. 11

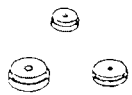
**UP-WARDS TRACTION**



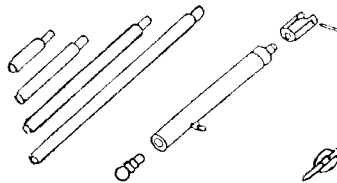
**APPLICATIONS PARTS**



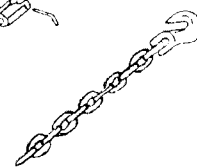
ATD. 149



ATD. xx. xxx



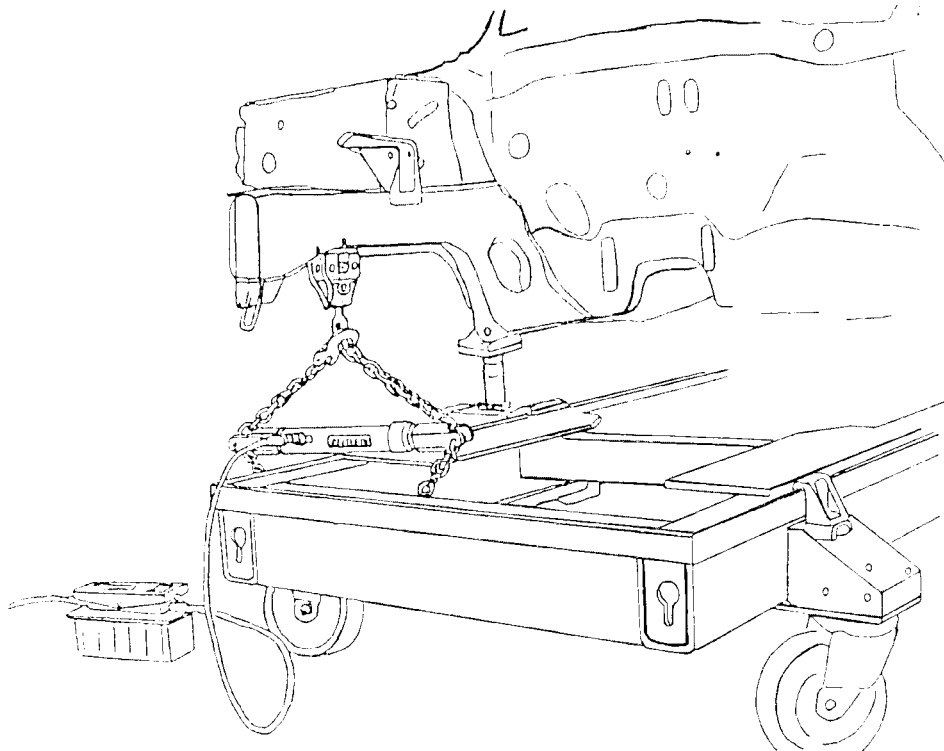
CSK. 15111



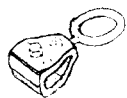
CN. 2410, CN.1000

Fig. 12

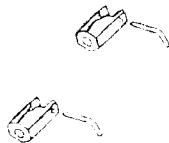
**DOWN-WARDS TRACTION**



**APPLICATIONS PARTS**



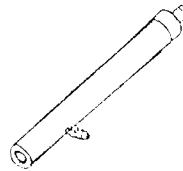
ATD. 1312



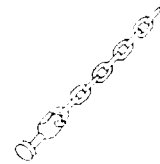
SK. 3107x2



SK. 1104



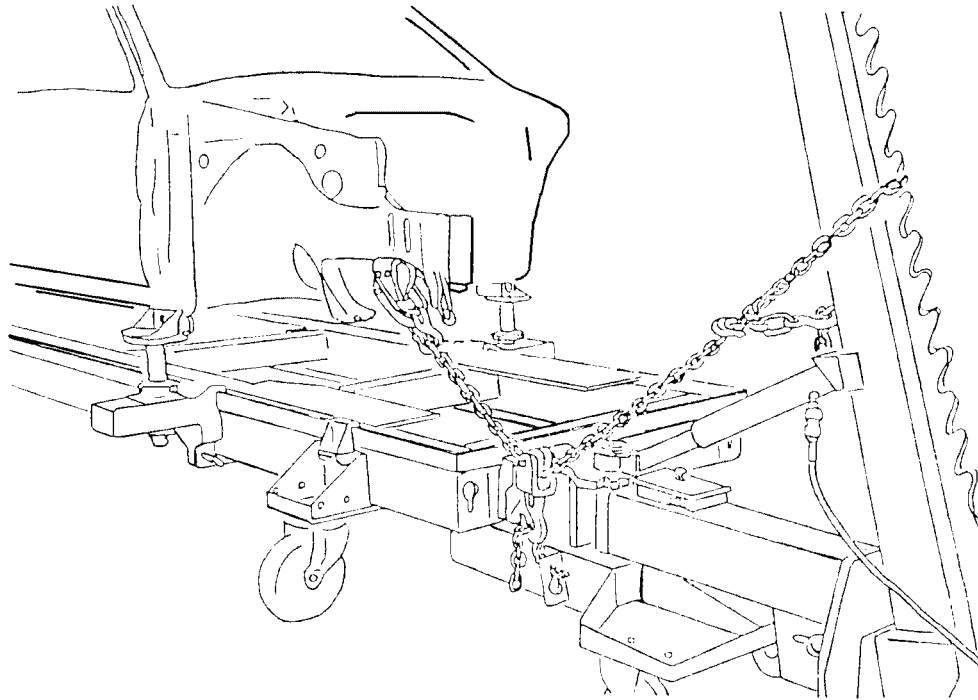
VS10S. 251



ATD. 01.850

Fig. 13

**DOWN-WARDS TRACTION**



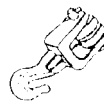
**APPLICATIONS PARTS**



ATD. 1312



ATD. 140



ATD. 01. 801



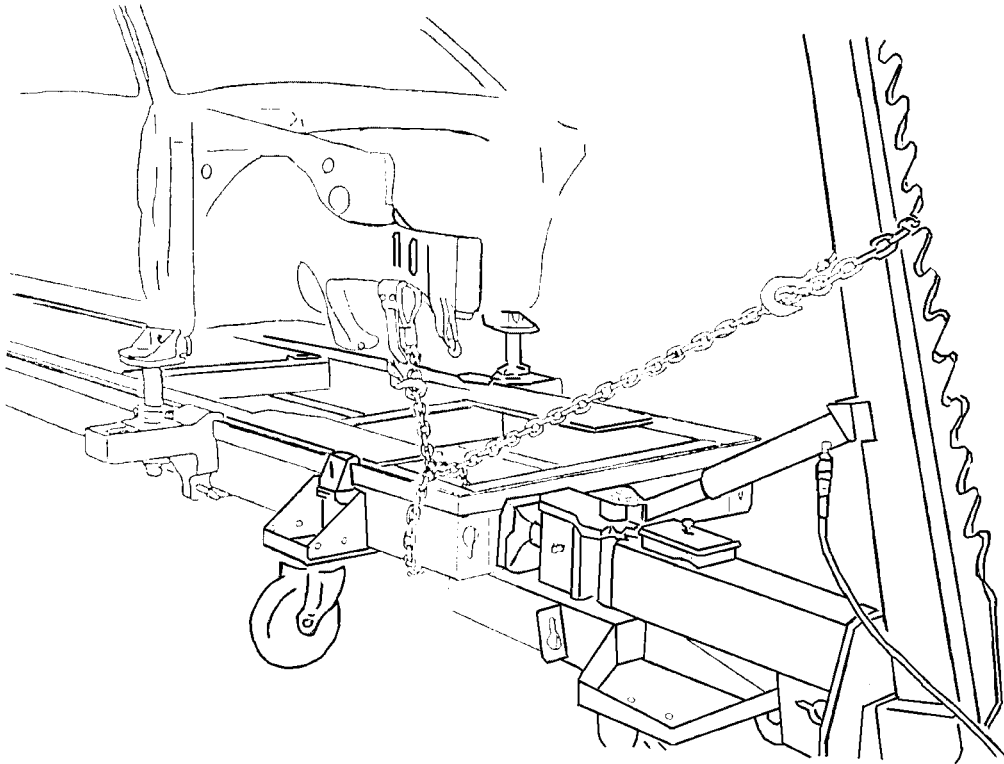
CR210



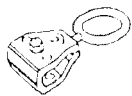
CN. 2410, CN. 1000

Fig. 14

**DOWN-WARDS TRACTION**



**APPLICATIONS PARTS**



ATD. 1312



ATD. 140



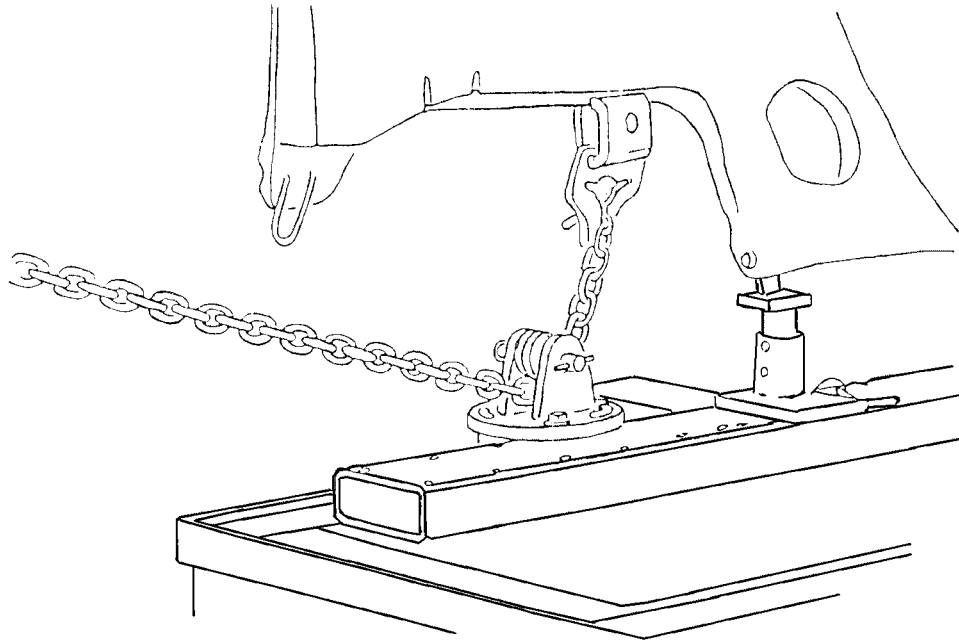
CR210



CN. 2410, CN. 1810

Fig. 15

**DOWN-WARDS TRACTION**



**APPLICATIONS PARTS**



974.910



ATD.1343



CN2410

Fig. 16

**DOWN-WARDS TRACTION**

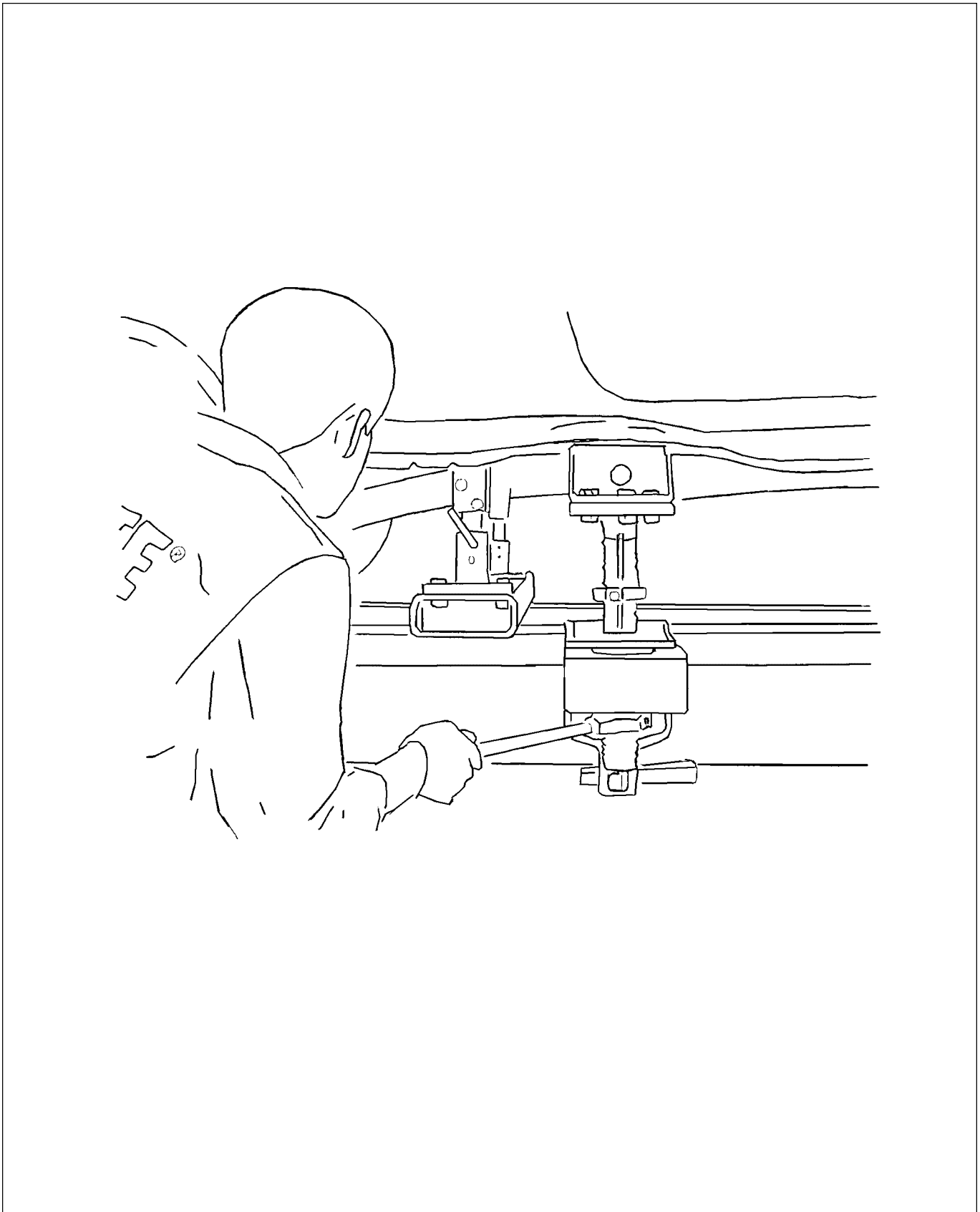
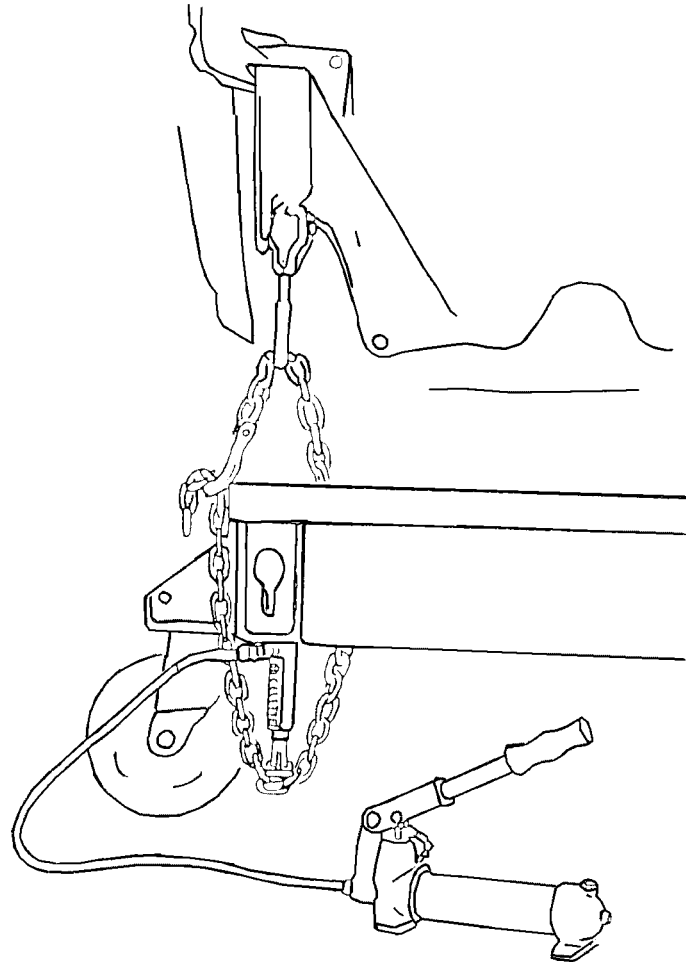
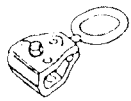


Fig. 17

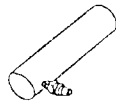
**DOWN-WARDS TRACTION**



**APPLICATIONS PARTS**



ATD. 1312



VA4. 054



SK. 1405



SK. 3401



CN2410

Fig. 18